

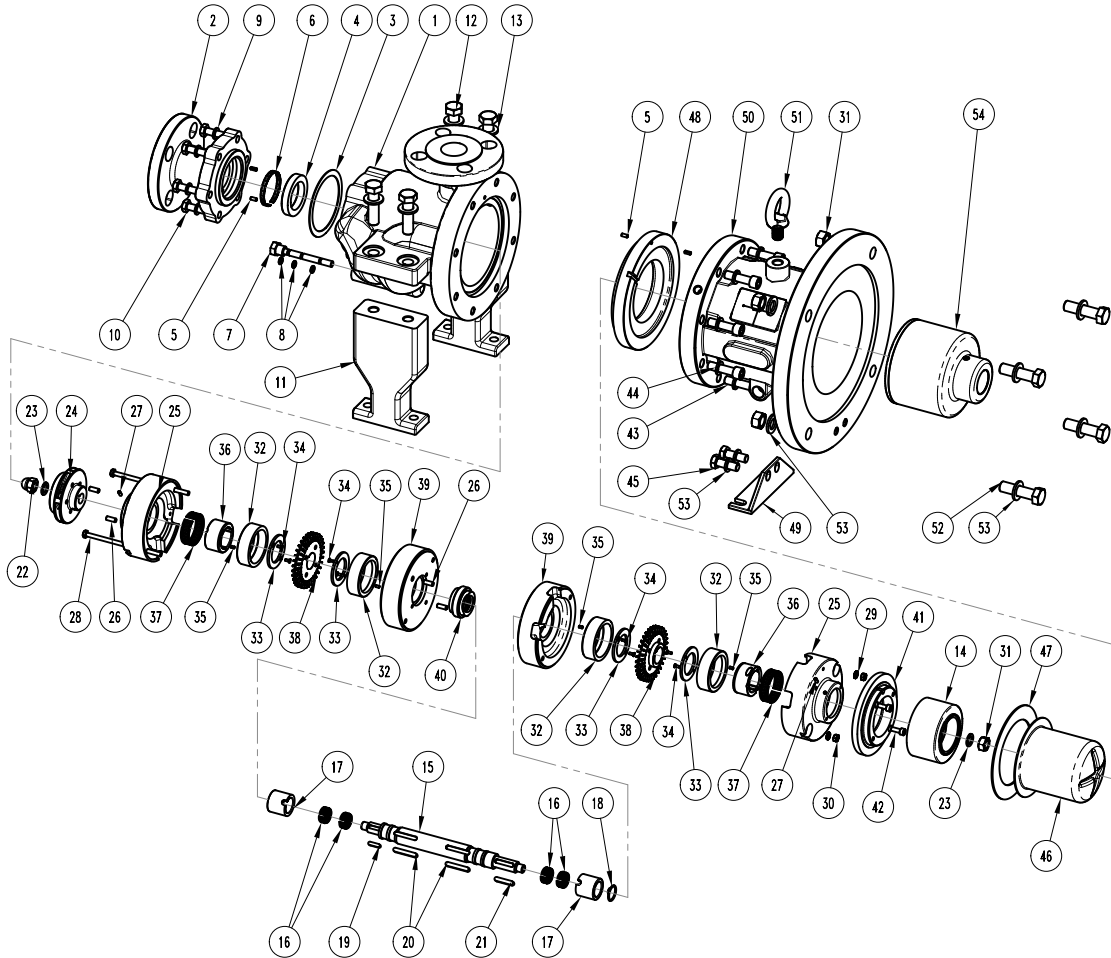
EXPLODED VIEW

CODE: E11118 Rev.:00



PART LIST

ITEM N°	CODE	Description	Material	Q.ty
1	5621OCTM000502AUF	Pump Casing	CF8M	1
2	5552OCT0005AUF	Pump Casing Cover	CF8M	1
3	91510P1065885	Pump Casing Gasket	PTFE	1
4	90140A65109	Casing Thrustbearing	Carbon Ant.	1
5	93030D04L10A2	Elastic pin \varnothing 4x10	A2-70	4
6	51710ERHV6506	Casing Tolerance ring	AISI304	1
7	53150A97642	Plug 3/8" NPT	AISI316	1
8	92910V0602	O-Ring 3024/BS108	VITON	3
9	91630S1017A2	Washer UNI1751 D.10x17	A2-70	6
10	91610TE1040A2	Screw UNI24014 M10x40	A2-70	6
11	55910CTM0005C	Casing Foot	WCB	2
12	91610TE1660A2	Screw UNI24017 M16x60	A2-70	4
13	91630N1630A2	Washer UNI6592 D.16x30	A2-70	4
14	55820T0005NA1	Internal Magnet	AISI316/NdFeB	1
15	55010CTM000502Y	Shaft	AISI420	1
16	91710ARSV2410	Shaft Tolerance ring	AISI304	4
17	9022034305	Sleeve shaft	SSIC	2
18	93040D23A4	Seger UNI7435 A23	A4-70	1
19	91640A5520A4	Key UNI 6604 5x5x20	A4-70	1
20	91640A6640A4	Key UNI 6604 6x6x40	A4-70	2
21	91640A6632A4	Key UNI 6604 6x6x32	A4-70	1
22	91620C12A4	Blind Nut UNI5721 M12	A4-70	1
23	91630L1319A4	Washer NORD LOCK D.12X19,5	A4-70	2
24	55710CM002086A	Centrifugal Impeller	CF8M	1
25	55120CTM0005AE	External Volute Ring	AISI316	2
26	916700616A4	Socket screw UNI5927 M6x16	A4-70	4
27	916700410A2	Socket screw UNI5927 M4x10	A4-70	2
28	91610TE130A2	Screw UNI24017 M6x130	A2-70	2
29	91630D0611A2	Washer UNI8842 D.6x11	A2-70	2
30	91620N06A2	Nut M6 UNI 5588 A2	A2-70	2
31	91620N12A2	Nut UNI5588 M12	A2-70	5
32	93010T0005PA	Wear Pad	Carbon Ant.	4
33	90120T0005A	Wear Pad Lock Ring	AISI316	4
34	91610TSTC38A4	Screw UNI2009 M3x8	A4-70	8
35	93030D03L06A2	Elastic Pin D.3x6	A2-70	4
36	90310A4725	Bushing	Carbon Ant.	2
37	91710ARHV4714	Bushing Tolerance ring	AISI304	2
38	55710T0005A	Impeller	AISI316	2
39	55120CTM0005AI	Intermediate Volute Ring	AISI316	2
40	50310CTM05K	Intermediate Bushing	PEEK+30%FC	1
41	51325CTM0005A	Volute Ring lock Ring	AISI316	1
42	91610TCE1616A2	Screw UNI5931 M6x16	A2-70	2
43	91610TCE1245A2	Screw UNI5931 M12x45	A2-70	8
44	91630S1221A2	Washer UNI1751 D.12x21	A2-70	8
45	91610TE1235A2	Screw UNI24017 M12x35	A2-70	2
46	55610A16508	Rear Casing	AISI316	1
47	91510A149510A5	Rear Casing Gasket	PTFE	1
48	51310ACTM0005	Lock Ring Rear Casing	AISI304	1
49	55910CTM000518CC	Foot	ASTM A105	1
50	56110C003A16C	Bracket	WCB	1
51	91615M16	Eye bolt M16	Fe Zinc	1
52	91610TE1255A2	Screw UNI24017 M12x55	A2-70	4
53	91630N1224A2	Washer UNI6592 D.12x24	A2-70	10
54	55810T000516N1	External Magnet	A105/NdFeB	1



ITEM:
Pump model: CT MAG-MS 5

Motor: IEC Gr 132
Port connection: Flanged

ANSI (ASA) B16.5 300 lbs / UNI EN1092-1 PN.40

- This drawing is for reference only

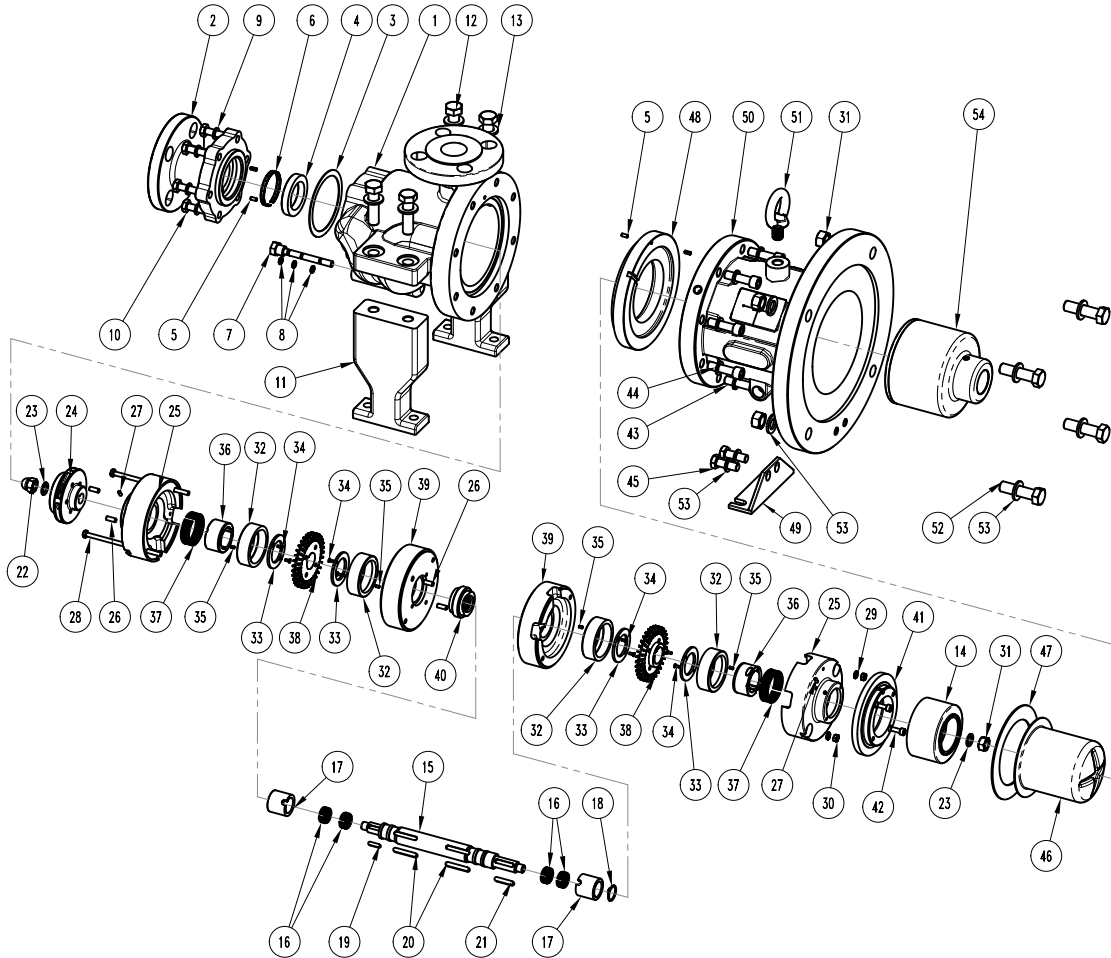
EXPLODED VIEW

CODE: E11119 Rev.:00



PART LIST

ITEM N°	CODE	Description	Material	Q.ty
1	5621OCTM000502AUF	Pump Casing	CF8M	1
2	5552OCT0005AUF	Pump Casing Cover	CF8M	1
3	91510P1065885	Pump Casing Gasket	PTFE	1
4	90140A65109	Casing Thrustbearing	Carbon Ant.	1
5	93030D04L10A2	Elastic pin \varnothing 4x10	A2-70	4
6	51710ERHV6506	Casing Tolerance ring	AISI304	1
7	53150A97642	Plug 3/8" NPT	AISI316	1
8	92910V0602	O-Ring 3024/BS108	VITON	3
9	91630S1017A2	Washer UNI1751 D.10x17	A2-70	6
10	91610TE1040A2	Screw UNI24014 M10x40	A2-70	6
11	5591OCTM0005C	Casing Foot	WCB	2
12	91610TE1660A2	Screw UNI24017 M16x60	A2-70	4
13	91630N1630A2	Washer UNI6592 D.16x30	A2-70	4
14	55820T0005NA1	Internal Magnet	AISI316/NdFeB	1
15	5501OCTM000502Y	Shaft	AISI420	1
16	91710ARSV2410	Shaft Tolerance ring	AISI304	4
17	9022034305	Sleeve shaft	SSIC	2
18	93040D23A4	Seger UNI7435 A23	A4-70	1
19	91640A5520A4	Key UNI 6604 5x5x20	A4-70	1
20	91640A6640A4	Key UNI 6604 6x6x40	A4-70	2
21	91640A6632A4	Key UNI 6604 6x6x32	A4-70	1
22	91620C12A4	Blind Nut UNI5721 M12	A4-70	1
23	91630L1319A4	Washer NORD LOCK D.12X19,5	A4-70	2
24	5571OCTM002086A	Centrifugal Impeller	CF8M	1
25	5512OCTM0005AE	External Volute Ring	AISI316	2
26	916700616A4	Socket screw UNI5927 M6x16	A4-70	4
27	916700410A2	Socket screw UNI5927 M4x10	A4-70	2
28	91610TE130A2	Screw UNI24017 M6x130	A2-70	2
29	91630D0611A2	Washer UNI8842 D.6x11	A2-70	2
30	91620N06A2	Nut M6 UNI 5588 A2	A2-70	2
31	91620N12A2	Nut UNI5588 M12	A2-70	5
32	93010T0005PA	Wear Pad	Carbon Ant.	4
33	90120T0005A	Wear Pad Lock Ring	AISI316	4
34	91610TSTC38A4	Screw UNI2009 M3x8	A4-70	8
35	93030D03L06A2	Elastic Pin D.3x6	A2-70	4
36	90310A4725	Bushing	Carbon Ant.	2
37	91710ARHV4714	Bushing Tolerance ring	AISI304	2
38	55710T0005A	Impeller	AISI316	2
39	5512OCTM0005AI	Intermediate Volute Ring	AISI316	2
40	5031OCTM05K	Intermediate Bushing	PEEK+30%FC	1
41	51325CTM0005A	Volute Ring lock Ring	AISI316	1
42	91610TCE1616A2	Screw UNI5931 M6x16	A2-70	2
43	91610TCE1245A2	Screw UNI5931 M12x45	A2-70	8
44	91630S1221A2	Washer UNI1751 D.12x21	A2-70	8
45	91610TE1235A2	Screw UNI24017 M12x35	A2-70	2
46	55610A16508	Rear Casing	AISI316	1
47	91510A149510A5	Rear Casing Gasket	PTFE	1
48	5131OACTM0005	Lock Ring Rear Casing	AISI304	1
49	5591OCTM000518CC	Foot	ASTM A105	1
50	56110C003A18C	Bracket	WCB	1
51	91615M16	Eye bolt M16	Fe Zinc	1
52	91610TE1255A2	Screw UNI24017 M12x55	A2-70	4
53	91630N1224A2	Washer UNI6592 D.12x24	A2-70	10
54	55810T000518N1	External Magnet	A105/NdFeB	1



ITEM:
Pump model: CT MAG-MS 5

Motor: IEC Gr 160
Port connection: Flanged

ANSI (ASA) B16.5 300 lbs / UNI EN1092-1 PN.40

- This drawing is for reference only

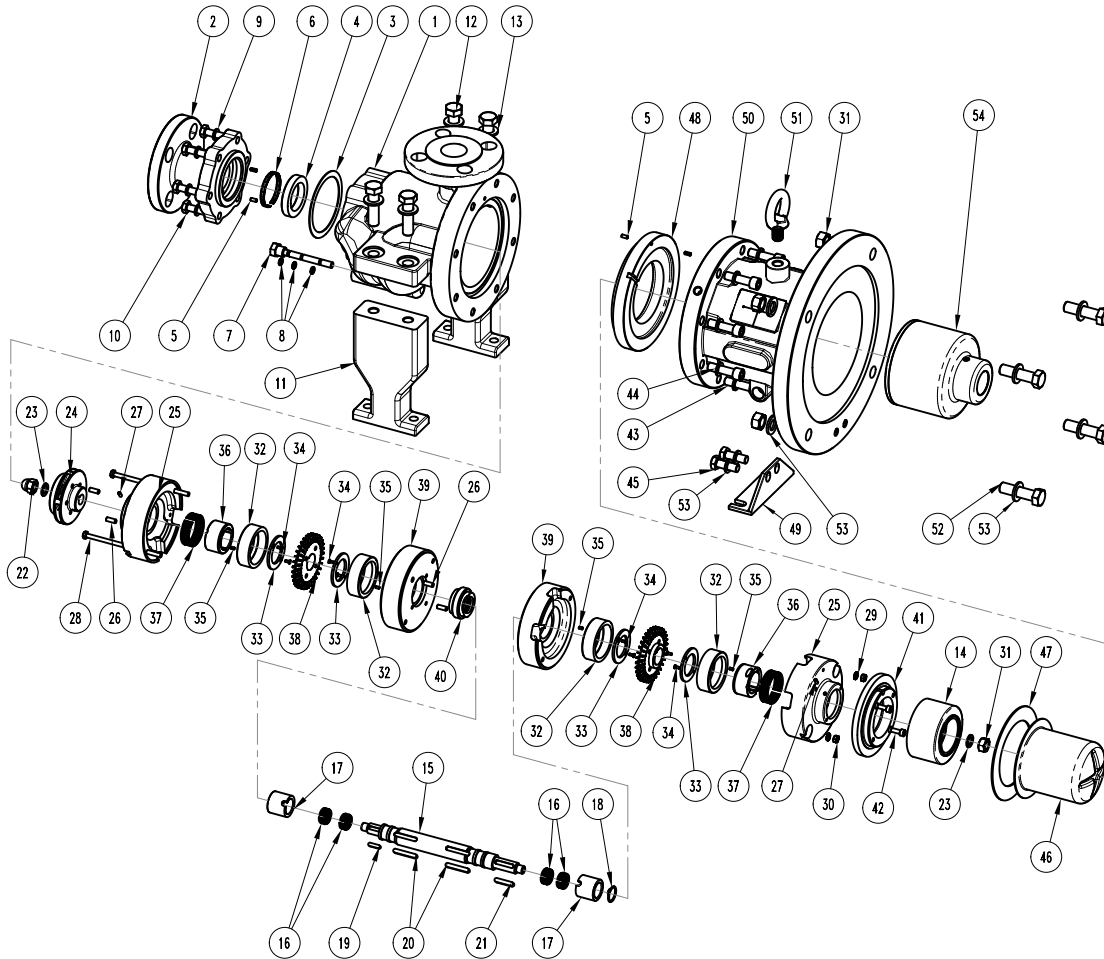
EXPLODED VIEW

CODE: E11120 Rev.:00



PART LIST

ITEM N°	CODE	Description	Material	Q.ty
1	5621OCTM000502AUF	Pump Casing	CF8M	1
2	5552OCT0005AUF	Pump Casing Cover	CF8M	1
3	91510P1065885	Pump Casing Gasket	PTFE	1
4	90140A65109	Casing Thrustbearing	Carbon Ant.	1
5	93030D04L10A2	Elastic pin \varnothing 4x10	A2-70	4
6	51710ERHV6506	Casing Tolerance ring	AISI304	1
7	53150A97642	Plug 3/8" NPT	AISI316	1
8	92910V0602	O-Ring 3024/BS108	VITON	3
9	91630S1017A2	Washer UNI1751 D.10x17	A2-70	6
10	91610TE1040A2	Screw UNI24014 M10x40	A2-70	6
11	5591OCTM0005C	Casing Foot	WCB	2
12	91610TE1660A2	Screw UNI24017 M16x60	A2-70	4
13	91630N1630A2	Washer UNI6592 D.16x30	A2-70	4
14	55820T0005NA1	Internal Magnet	AISI316/NdFeB	1
15	5501OCTM000502Y	Shaft	AISI420	1
16	91710ARSV2410	Shaft Tolerance ring	AISI304	4
17	9022034305	Sleeve shaft	SSIC	2
18	93040D23A4	Seger UNI7435 A23	A4-70	1
19	91640A5520A4	Key UNI 6604 5x5x20	A4-70	1
20	91640A6640A4	Key UNI 6604 6x6x40	A4-70	2
21	91640A6632A4	Key UNI 6604 6x6x32	A4-70	1
22	91620C12A4	Blind Nut UNI5721 M12	A4-70	1
23	91630L1319A4	Washer NORD LOCK D.12x19,5	A4-70	2
24	5571OCTM002086A	Centrifugal Impeller	CF8M	1
25	5512OCTM0006AE	External Volute Ring	AISI316	2
26	916700616A4	Socket screw UNI5927 M6x16	A4-70	4
27	916700410A2	Socket screw UNI5927 M4x10	A4-70	2
28	91610TE130A2	Screw UNI24017 M6x130	A2-70	2
29	91630D0611A2	Washer UNI8842 D.6x11	A2-70	2
30	91620N06A2	Nut M6 UNI 5588 A2	A2-70	2
31	91620N12A2	Nut UNI5588 M12	A2-70	5
32	93010T0005PA	Wear Pad	Carbon Ant.	4
33	90120T0005A	Wear Pad Lock Ring	AISI316	4
34	91610TSTC38A4	Screw UN2009 M3x8	A4-70	8
35	93030D03L06A2	Elastic Pin D.3x6	A2-70	4
36	90310A4725	Bushing	Carbon Ant.	2
37	91710ARHV4714	Bushing Tolerance ring	AISI304	2
38	55710T0006A	Impeller	AISI316	2
39	5512OCTM0006AI	Intermediate Volute Ring	AISI316	2
40	5031OCTM05K	Intermediate Bushing	PEEK+30%FC	1
41	51325CTM0005A	Volute Ring lock Ring	AISI316	1
42	91610TCE1616A2	Screw UNI5931 M6x16	A2-70	2
43	91610TCE1245A2	Screw UNI5931 M12x45	A2-70	8
44	91630S1221A2	Washer UNI1751 D.12x21	A2-70	8
45	91610TE1235A2	Screw UNI24017 M12x35	A2-70	2
46	55610A16508	Rear Casing	AISI316	1
47	91510A149510A5	Rear Casing Gasket	PTFE	1
48	5131OACTM0005	Lock Ring Rear Casing	AISI304	1
49	5591OCTM000518CC	Foot	ASTM A105	1
50	56110C003A16C	Bracket	WCB	1
51	91615M16	Eye bolt M16	Fe Zinc	1
52	91610TE1255A2	Screw UNI24017 M12x55	A2-70	4
53	91630N1224A2	Washer UNI6592 D.12x24	A2-70	10
54	55810T000516N1	External Magnet	A105/NdFeB	1



- This drawing is for reference only

ITEM:
Pump model: CT MAG-MS 6

Motor: IEC Gr 132
Port connection: Flanged

ANSI (ASA) B16.5 300 lbs / UNI EN1092-1 PN.40

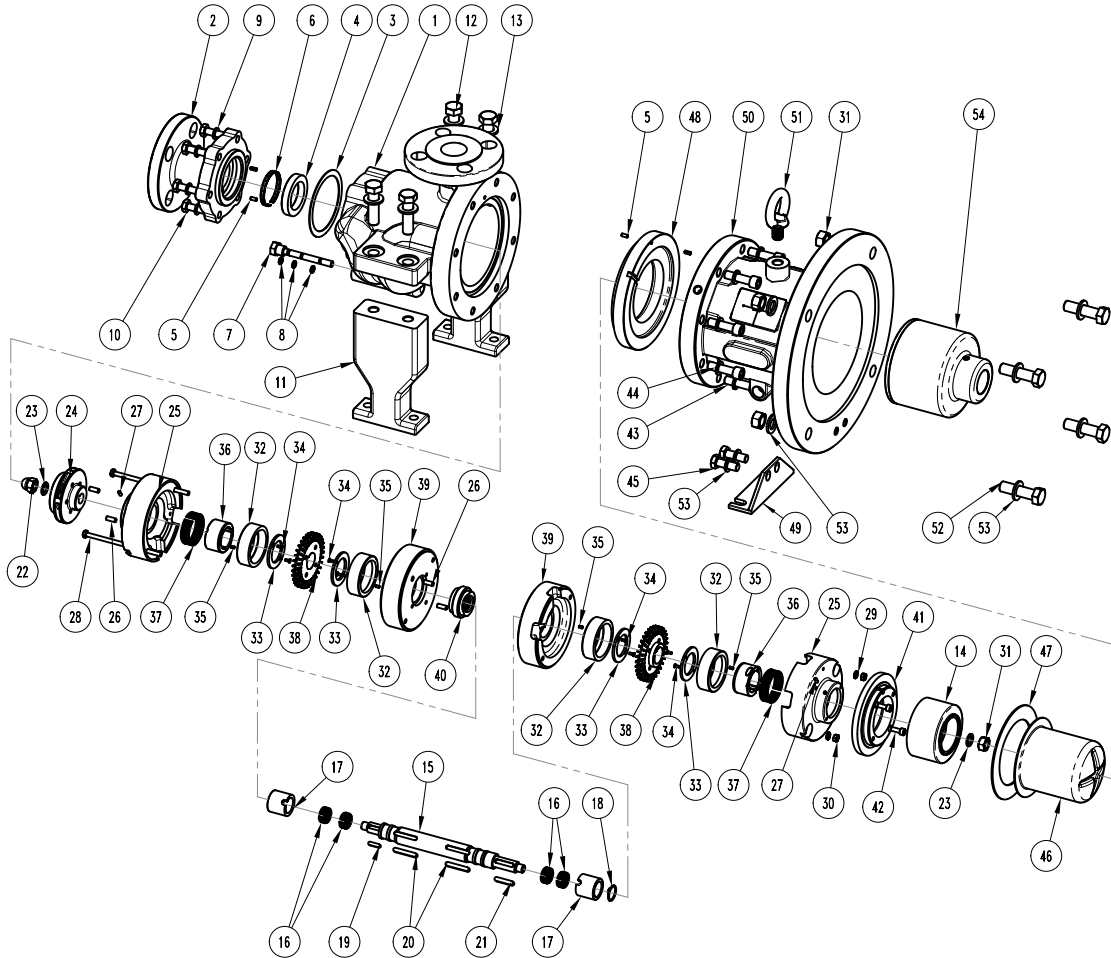
EXPLODED VIEW

CODE: E11121 Rev.:00



PART LIST

ITEM N°	CODE	Description	Material	Q.ty
1	5621OCTM000502AUF	Pump Casing	CF8M	1
2	5552OCT0005AUF	Pump Casing Cover	CF8M	1
3	91510P1065885	Pump Casing Gasket	PTFE	1
4	90140A65109	Casing Thrustbearing	Carbon Ant.	1
5	93030D04L10A2	Elastic pin \varnothing 4x10	A2-70	4
6	51710ERHV6506	Casing Tolerance ring	AISI304	1
7	53150A97642	Plug 3/8" NPT	AISI316	1
8	92910V0602	O-Ring 3024/BS108	VITON	3
9	91630S1017A2	Washer UNI1751 D.10x17	A2-70	6
10	91610TE1040A2	Screw UNI24014 M10x40	A2-70	6
11	55910CTM0005C	Casing Foot	WCB	2
12	91610TE1660A2	Screw UNI24017 M16x60	A2-70	4
13	91630N1630A2	Washer UNI6592 D.16x30	A2-70	4
14	55820T0005NA1	Internal Magnet	AISI316/NdFeB	1
15	55010CTM000502Y	Shaft	AISI420	1
16	91710ARSV2410	Shaft Tolerance ring	AISI304	4
17	9022034305	Sleeve shaft	SSIC	2
18	93040D23A4	Seger UNI7435 A23	A4-70	1
19	91640A5520A4	Key UNI 6604 5x5x20	A4-70	1
20	91640A6640A4	Key UNI 6604 6x6x40	A4-70	2
21	91640A6632A4	Key UNI 6604 6x6x32	A4-70	1
22	91620C12A4	Blind Nut UNI5721 M12	A4-70	1
23	91630L1319A4	Washer NORD LOCK D.12X19,5	A4-70	2
24	55710CM002086A	Centrifugal Impeller	CF8M	1
25	55120CTM0006AE	External Volute Ring	AISI316	2
26	916700616A4	Socket screw UNI5927 M6x16	A4-70	4
27	916700410A2	Socket screw UNI5927 M4x10	A4-70	2
28	91610TE130A2	Screw UNI24017 M6x130	A2-70	2
29	91630D0611A2	Washer UNI8842 D.6x11	A2-70	2
30	91620N06A2	Nut M6 UNI 5588 A2	A2-70	2
31	91620N12A2	Nut UNI5588 M12	A2-70	5
32	93010T0005PA	Wear Pad	Carbon Ant.	4
33	90120T0005A	Wear Pad Lock Ring	AISI316	4
34	91610TSTC38A4	Screw UNI2009 M3x8	A4-70	8
35	93030D03L06A2	Elastic Pin D.3x6	A2-70	4
36	90310A4725	Bushing	Carbon Ant.	2
37	91710ARHV4714	Bushing Tolerance ring	AISI304	2
38	55710T0006A	Impeller	AISI316	2
39	55120CTM0006AI	Intermediate Volute Ring	AISI316	2
40	50310CTM05K	Intermediate Bushing	PEEK+30%FC	1
41	51325CTM0005A	Volute Ring lock Ring	AISI316	1
42	91610TCE1616A2	Screw UNI5931 M6x16	A2-70	2
43	91610TCE1245A2	Screw UNI5931 M12x45	A2-70	8
44	91630S1221A2	Washer UNI1751 D.12x21	A2-70	8
45	91610TE1235A2	Screw UNI24017 M12x35	A2-70	2
46	55610A16508	Rear Casing	AISI316	1
47	91510A149510A5	Rear Casing Gasket	PTFE	1
48	51310ACTM0005	Lock Ring Rear Casing	AISI304	1
49	55910CTM00518CC	Foot	ASTM A105	1
50	56110C003A18C	Bracket	WCB	1
51	91615M16	Eye bolt M16	Fe Zinc	1
52	91610TE1255A2	Screw UNI24017 M12x55	A2-70	4
53	91630N1224A2	Washer UNI6592 D.12x24	A2-70	10
54	55810T000518N1	External Magnet	A105/NdFeB	1



ITEM:
Pump model: CT MAG-MS 6

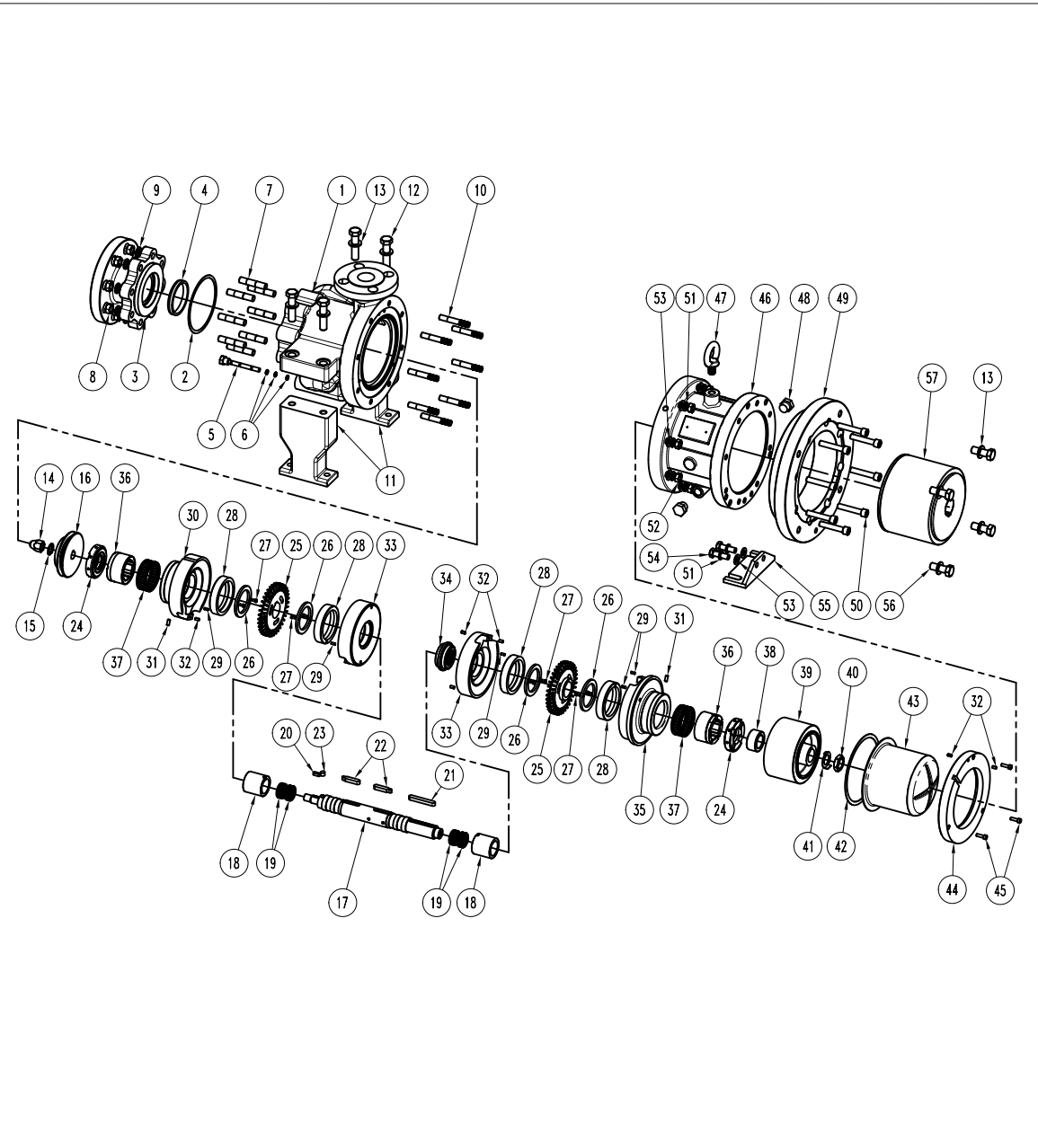
Motor: IEC Gr 160
Port connection: Flanged

ANSI (ASA) B16.5 300 lbs / UNI EN1092-1 PN.40

- This drawing is for reference only

EXPLODED VIEW

CODE: E11122 Rev.:00



PART LIST

ITEM N°	CODE	Description	Material	Q.ty
1	5621OCTM000702AUF	Pump Casing	CF8M	1
2	9151OP14351305	Pump Casing Gasket	PTFE	1
3	5552OCT0007AUF	Pump Casing Cover	CF8M	1
4	55110CXD4BA8510I	Casing Wear ring	AISI316	1
5	53150A97642	Drain plug 3/8" NPT	AISI316	1
6	9291OV0602	O-Ring 3024-BS108	Viton	3
7	9161OP1470A2	Stud Bolt M14x70	AISI420	8
8	91620N14A2	Nut UNI5588 M14	A2-70	8
9	91630S1424A2	Washer UNI1751 D.14x24	A2-70	8
10	9161OP1263A2	Stud Bolt M12x78	AISI420	8
11	55910WAC05C	Pump Casing Foot	WCB	2
12	9161OTE1670A2	Screw UNI24017 M16x70	A2-70	4
13	91630N1630A2	Washer UNI6592 16x30	A2-70	8
14	91690016A2	Int. Magnet Nut	AISI316	1
15	91630L1725A4	Washer NORD LOCK D.16x25.4	A4-70	1
16	5571OCT0007A	Centrifugal Impeller	CF8M	1
17	5501OCTM000702Y	Shaft	AISI420	1
18	902205048S	Sleeve Shaft	SSIC	2
19	91710ARSV5012	Shaft Tolerance Ring	AISI304	4
20	91640A6618A2	Key UNI6604/A 6x6x18	A2-70	1
21	91640A10870A2	Key UNI6604/A 10x8x70	A2-70	1
22	51640A10855A4S	Special Key 10x8x47	A4-70	2
23	56610D100008A	Special Key D.10x8	AISI316	1
24	56010C0002A	Thrustbearing	AISI316/SSIC	2
25	55710T0007A	Impeller	AISI316	2
26	90120T0007A	Lock Ring Wear Pad	AISI316	4
27	91610TCE1408A2	Screw UNI5931 M4x8	A2-70	8
28	93010T0007A	Wear Pad	Carbon Ant.	4
29	93030D04L10A2	Elastic Pin D.4x10	A2-70	5
30	55120T0007AA	Front Volute Ring	AISI316	1
31	916700610A2	Socket screw UNI5927 M6x10	A2-70	2
32	93030D05L10A2	Elastic pin D.5x10	A2-70	6
33	55120CTM0007AI	Intermediate Volute Ring	AISI316	2
34	50310CTM07K	Intermediate Bushing	PEEK+30%FC	1
35	55120T0007AP	Rear Volute Ring	AISI316	1
36	50310A7040CT	Bushing	Carbon Ant.	2
37	91710ARHV7025	Bushing Tolerance Ring	AISI304	2
38	50310A500238	Int. magnet spacer	AISI316	1
39	55820C0005NA	Internal Magnet	AISI316/NdFeB	1
40	91620R24A4	Nut UNI 5589 M24	A4-70	1
41	91630L2439A4	Washer NORD LOCK D.24x39	A4-70	1
42	9151OP176158	Rear Casing Gasket	PTFE	1
43	55610C006BHR	Rear casing	HC276	1
44	51310AC03D	Rear Casing Lock Ring	AISI304	1
45	91610TCE1620A2	Screw UNI5931 M6x20	A2-70	3
46	56110C006B92C	Bracket	WCB	1
47	91615M16	Eyebolt M16	Fe Zinc	1
48	9315012MAG	Plug 1/2" BSP	Fe Zinc	2
49	513101824	Adaptor Flange	Fe430	1
50	91610TCE11265A2	Screw UNI5931 M12x65	A2-70	8
51	91630S1221A2	Washer UNI1751 D.12x21	A2-70	10
52	91620N12A2	Nut UNI5588 M12	A2-70	8
53	91630N1224A2	Washer UNI6592 D.12x24	A2-70	10
54	9161OTE1240A2	Screw UNI24017 M12x40	A2-70	2
55	55910CTM00720CC	Foot	ASTM A105	1
56	9161OTE1645A2	Screw UNI24017 M16x45	A2-70	4
57	55810C000518N	External Magnet	A105/NdFeB	1

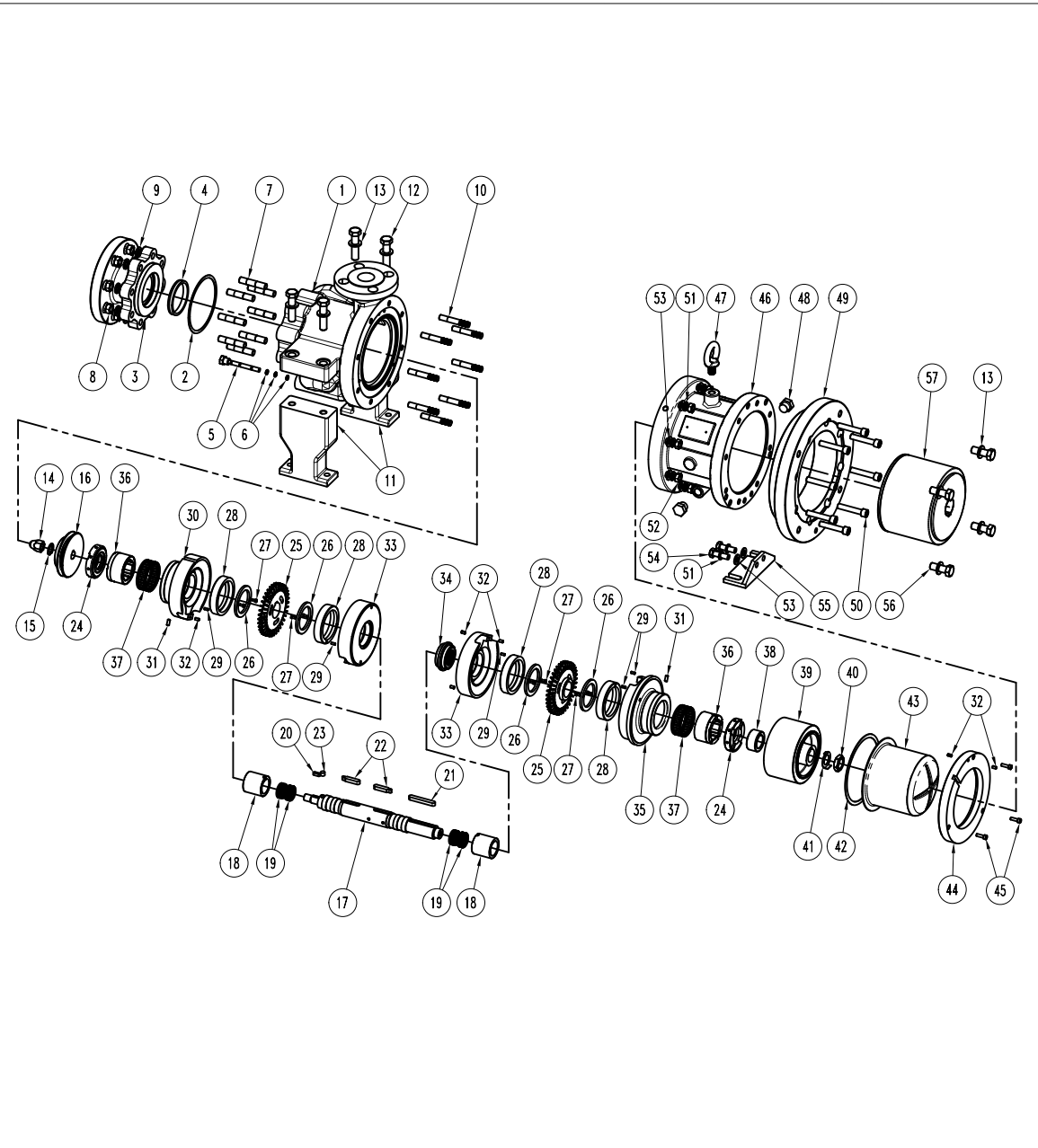
ITEM: Pump model: CT MAG-MS 7

Motor: IEC Gr 160
Port connection: Flanged
ANSI (ASA) B16.5 300 lbs / UNI EN1092-1 PN.40

- This drawing is for reference only

EXPLODED VIEW

CODE: E11123 Rev.:00



PART LIST

ITEM N°	CODE	Description	Material	Q.ty
1	5621OCTM000702AUF	Pump Casing	CF8M	1
2	91510P14351305	Pump Casing Gasket	PTFE	1
3	5552OCT0007AUF	Pump Casing Cover	CF8M	1
4	55110CXD4BA8510I	Casing Wear ring	AISI316	1
5	53150A97642	Drain plug 3/8" NPT	AISI316	1
6	92910V0602	O-Ring 3024-BS108	Viton	3
7	91610P1470A2	Stud Bolt M14x70	AISI420	8
8	91620N14A2	Nut UNI5588 M14	A2-70	8
9	91630S1424A2	Washer UNI1751 D.14x24	A2-70	8
10	91610P1263A2	Stud Bolt M12x78	AISI420	8
11	55910WAC05C	Pump Casing Foot	WCB	2
12	91610TE1670A2	Screw UNI24017 M16x70	A2-70	4
13	91630N1630A2	Washer UNI6592 16x30	A2-70	8
14	91690016A2	Int. Magnet Nut	AISI316	1
15	91630L1725A4	Washer NORD LOCK D.16x25.4	A4-70	1
16	5571OCT0007A	Centrifugal Impeller	CF8M	1
17	5501OCTM000702Y	Shaft	AISI420	1
18	902205048S	Sleeve Shaft	SSIC	2
19	91710ARSV5012	Shaft Tolerance Ring	AISI304	4
20	91640A6618A2	Key UNI6604/A 6x6x18	A2-70	1
21	91640A10870A2	Key UNI6604/A 10x8x70	A2-70	1
22	51640A10855A4S	Special Key 10x8x47	A4-70	2
23	56610D100008A	Special Key D.10x8	AISI316	1
24	56010C0002A	Thrustbearing	AISI316/SSIC	2
25	55710T0007A	Impeller	AISI316	2
26	90120T0007A	Lock Ring Wear Pad	AISI316	4
27	91610TCE1408A2	Screw UNI5931 M4x8	A2-70	8
28	93010T0007A	Wear Pad	Carbon Ant.	4
29	93030D04L10A2	Elastic Pin D.4x10	A2-70	5
30	55120T0007AA	Front Volute Ring	AISI316	1
31	916700610A2	Socket screw UNI5927 M6x10	A2-70	2
32	93030D05L10A2	Elastic pin D.5x10	A2-70	6
33	55120CTM0007AI	Intermediate Volute Ring	AISI316	2
34	50310CTM07K	Intermediate Bushing	PEEK+30%FC	1
35	55120T0007AP	Rear Volute Ring	AISI316	1
36	50310A7040CT	Bushing	Carbon Ant.	2
37	91710ARHV7025	Bushing Tolerance Ring	AISI304	2
38	50310A500238	Int. magnet spacer	AISI316	1
39	55820C0006NA	Internal Magnet	AISI316/NdFeB	1
40	91620R24A4	Nut UNI 5589 M24	A4-70	1
41	91630L2439A4	Washer NORD LOCK D.24x39	A4-70	1
42	91510P176158	Rear Casing Gasket	PTFE	1
43	55610C006BHR	Rear casing	HC276	1
44	51310AC03D	Rear Casing Lock Ring	AISI304	1
45	91610TCE1620A2	Screw UNI5931 M6x20	A2-70	3
46	56110C006B92C	Bracket	WCB	1
47	91615M16	Eyebolt M16	Fe Zinc	1
48	9315012MAG	Plug 1/2" BSP	Fe Zinc	2
49	513102225	Adaptor Flange	Fe430	1
50	91610TCE11265A2	Screw UNI5931 M12x65	A2-70	8
51	91630S1221A2	Washer UNI1751 D.12x21	A2-70	10
52	91620N12A2	Nut UNI5588 M12	A2-70	8
53	91630N1224A2	Washer UNI6592 D.12x24	A2-70	10
54	91610TE1240A2	Screw UNI24017 M12x40	A2-70	2
55	55910CTM00716CC	Foot	ASTM A105	1
56	91610TE1645A2	Screw UNI24017 M16x45	A2-70	4
57	55810C000622N	External Magnet	A105/NdFeB	1

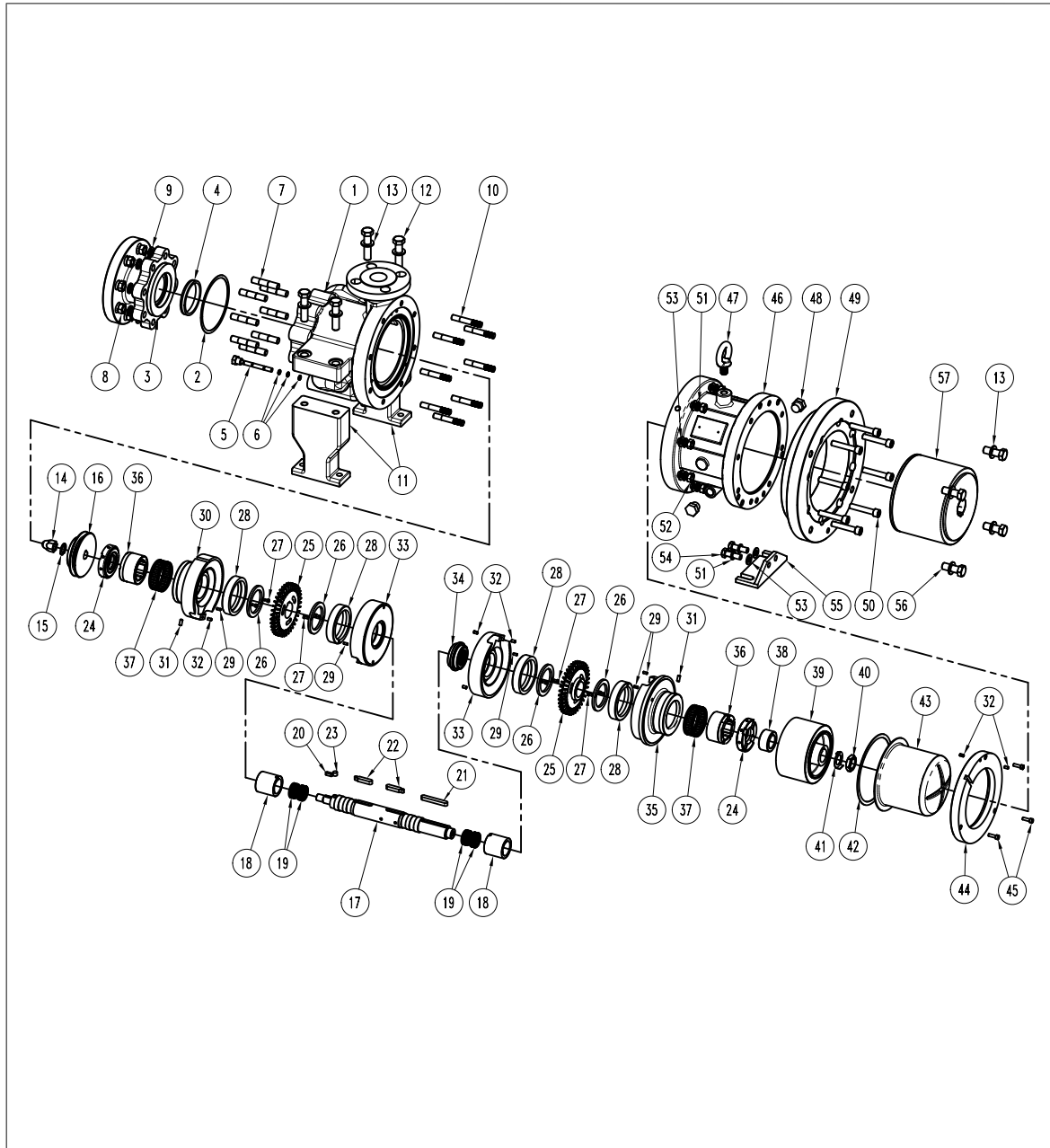
ITEM: Pump model: CT MAG-MS 7

Motor: IEC Gr 200
Port connection: Flanged
ANSI (ASA) B16.5 300 lbs / UNI EN1092-1 PN.40

- This drawing is for reference only

EXPLODED VIEW

CODE: E11123 Rev.:00



PART LIST

ITEM N°	CODE	Description	Material	Q.ty
1	5621OCTM000702AUF	Pump Casing	CF8M	1
2	91510P14351305	Pump Casing Gasket	PTFE	1
3	5552OCT0007AUF	Pump Casing Cover	CF8M	1
4	55110CXD4BA8510I	Casing Wear ring	AISI316	1
5	53150A97642	Drain plug 3/8" NPT	AISI316	1
6	92910V0602	O-Ring 3024-BS108	Viton	3
7	91610P1470A2	Stud Bolt M14x70	AISI420	8
8	91620N14A2	Nut UNI5588 M14	A2-70	8
9	91630S1424A2	Washer UNI1751 D.14x24	A2-70	8
10	91610P1263A2	Stud Bolt M12x78	AISI420	8
11	55910WAC05C	Pump Casing Foot	WCB	2
12	91610TE1670A2	Screw UNI24017 M16x70	A2-70	4
13	91630N1630A2	Washer UNI6592 16x30	A2-70	8
14	91690016A2	Int. Magnet Nut	AISI316	1
15	91630L1725A4	Washer NORD LOCK D.16x25.4	A4-70	1
16	5571OCT0007A	Centrifugal Impeller	CF8M	1
17	5501OCTM000702Y	Shaft	AISI420	1
18	90220S048S	Sleeve Shaft	SSIC	2
19	91710ARSV5012	Shaft Tolerance Ring	AISI304	4
20	91640A6618A2	Key UNI6604/A 6x6x18	A2-70	1
21	91640A10870A2	Key UNI6604/A 10x8x70	A2-70	1
22	51640A10855A4S	Special Key 10x8x47	A4-70	2
23	56610D100008A	Special Key D.10x8	AISI316	1
24	56010C0002A	Thrustbearing	AISI316/SSIC	2
25	55710T0010A	Impeller	AISI316	2
26	90120T0007A	Lock Ring Wear Pad	AISI316	4
27	91610TCE1408A2	Screw UNI5931 M4x8	A2-70	8
28	93010T0007A	Wear Pad	Carbon Ant.	4
29	93030D04L10A2	Elastic Pin D.4x10	A2-70	5
30	55120T0007AA	Front Volute Ring	AISI316	1
31	916700610A2	Socket screw UNI5927 M6x10	A2-70	2
32	93030D05L10A2	Elastic pin D.5x10	A2-70	6
33	55120CTM0007AI	Intermediate Volute Ring	AISI316	2
34	50310CTM07K	Intermediate Bushing	PEEK+30%FC	1
35	55120T0007AP	Rear Volute Ring	AISI316	1
36	50310A7040CT	Bushing	Carbon Ant.	2
37	91710ARHV702S	Bushing Tolerance Ring	AISI304	2
38	50310A500238	Int. magnet spacer	AISI316	1
39	55820C0006NA	Internal Magnet	AISI316/NdFeB	1
40	91620R24A4	Nut UNI 5589 M24	A4-70	1
41	91630L2439A4	Washer NORD LOCK D.24x39	A4-70	1
42	91510P176158	Rear Casing Gasket	PTFE	1
43	55610C006BHR	Rear casing	HC276	1
44	51310AC03D	Rear Casing Lock Ring	AISI304	1
45	91610TCE1620A2	Screw UNI5931 M6x20	A2-70	3
46	56110C006B92C	Bracket	WCB	1
47	91615M16	Eyebolt M16	Fe Zinc	1
48	9315012MAG	Plug 1/2" BSP	Fe Zinc	2
49	513102225	Adaptor Flange	Fe430	1
50	91610TCE11265A2	Screw UNI5931 M12x65	A2-70	8
51	91630S1221A2	Washer UNI1751 D.12x21	A2-70	10
52	91620N12A2	Nut UNI5588 M12	A2-70	8
53	91630N1224A2	Washer UNI6592 D.12x24	A2-70	10
54	91610TE1240A2	Screw UNI24017 M12x40	A2-70	2
55	55910CTM00716CC	Foot	ASTM A105	1
56	91610TE1645A2	Screw UNI24017 M16x45	A2-70	4
57	55810C000622N	External Magnet	A105/NdFeB	1

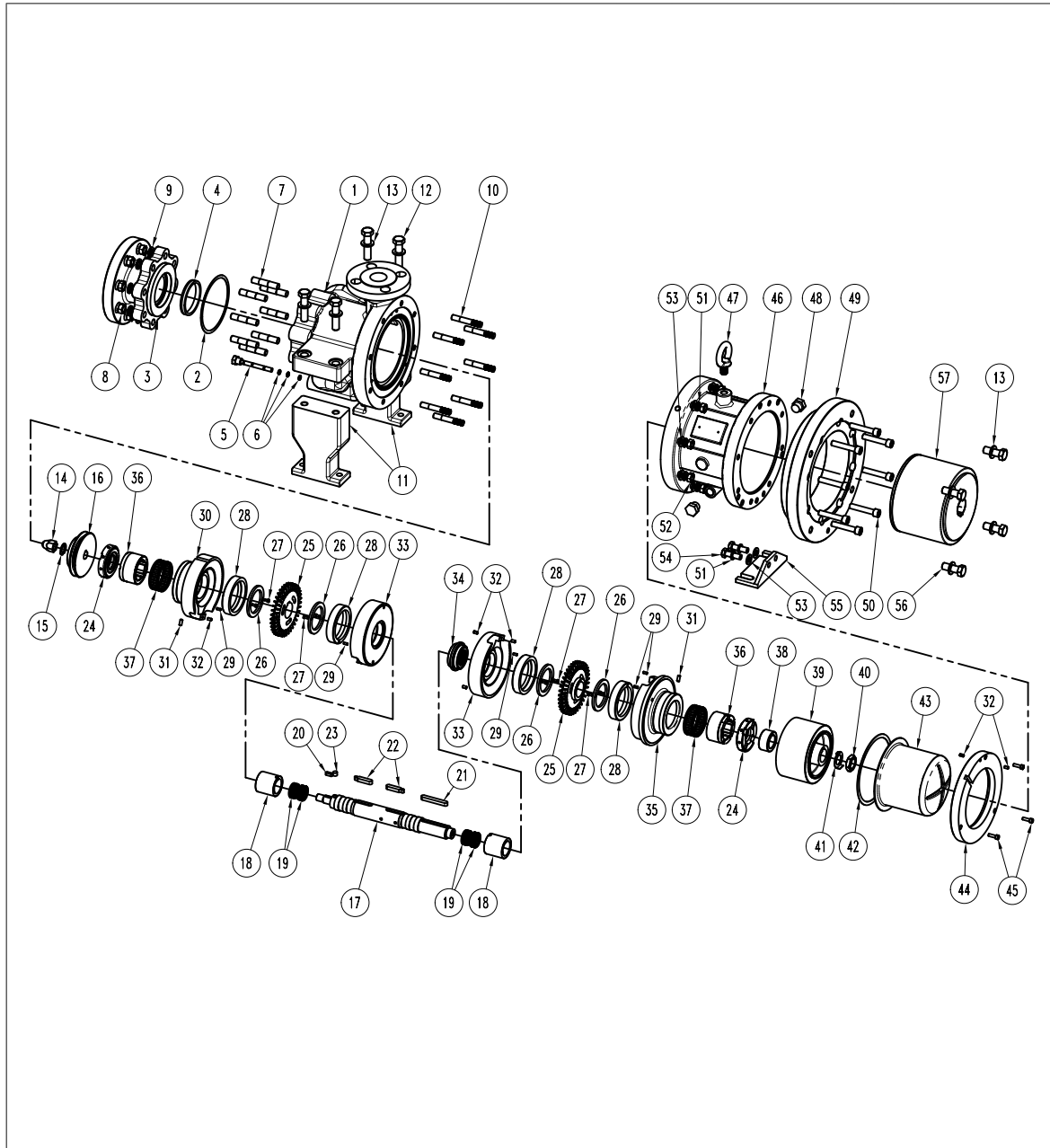
ITEM: Pump model: CT MAG-MS 7

Motor: IEC Gr 200
Port connection: Flanged
ANSI (ASA) B16.5 300 lbs / UNI EN1092-1 PN.40

- This drawing is for reference only

EXPLODED VIEW

CODE: E11125 Rev.:00



PART LIST

ITEM N°	CODE	Description	Material	Q.ty
1	5621OCTM000702AUF	Pump Casing	CF8M	1
2	9151OP14351305	Pump Casing Gasket	PTFE	1
3	5552OCT0007AUF	Pump Casing Cover	CF8M	1
4	55110CXD4BA8510I	Casing Wear ring	AISI316	1
5	53150A97642	Drain plug 3/8" NPT	AISI316	1
6	9291OV0602	O-Ring 3024-BS108	Viton	3
7	9161OP1470A2	Stud Bolt M14x70	AISI420	8
8	91620N14A2	Nut UNI5588 M14	A2-70	8
9	91630S1424A2	Washer UNI1751 D.14x24	A2-70	8
10	9161OP1263A2	Stud Bolt M12x78	AISI420	8
11	55910WAC05C	Pump Casing Foot	WCB	2
12	9161OTE1670A2	Screw UNI24017 M16x70	A2-70	4
13	91630N1630A2	Washer UNI6592 16x30	A2-70	8
14	91690016A2	Int. Magnet Nut	AISI316	1
15	91630L1725A4	Washer NORD LOCK D.16x25.4	A4-70	1
16	5571OCT0007A	Centrifugal Impeller	CF8M	1
17	5501OCTM000702Y	Shaft	AISI420	1
18	902205048S	Sleeve Shaft	SSIC	2
19	91710ARSV5012	Shaft Tolerance Ring	AISI304	4
20	91640A6618A2	Key UNI6604/A 6x6x18	A2-70	1
21	91640A10870A2	Key UNI6604/A 10x8x70	A2-70	1
22	51640A10855A4S	Special Key 10x8x47	A4-70	2
23	56610D100008A	Special Key D.10x8	AISI316	1
24	56010C0002A	Thrustbearing	AISI316/SSIC	2
25	55710T0008A	Impeller	AISI316	2
26	90120T0007A	Lock Ring Wear Pad	AISI316	4
27	91610TCE1408A2	Screw UNI5931 M4x8	A2-70	8
28	93010T0007A	Wear Pad	Carbon Ant.	4
29	93030D04L10A2	Elastic Pin D.4x10	A2-70	5
30	55120T0008AA	Front Volute Ring	AISI316	1
31	916700610A2	Socket screw UNI5927 M6x10	A2-70	2
32	93030D05L10A2	Elastic pin D.5x10	A2-70	6
33	55120CTM0008AI	Intermediate Volute Ring	AISI316	2
34	50310CTM07K	Intermediate Bushing	PEEK+30%FC	1
35	55120T0008AP	Rear Volute Ring	AISI316	1
36	50310A7040CT	Bushing	Carbon Ant.	2
37	91710ARHV7025	Bushing Tolerance Ring	AISI304	2
38	50310A500238	Int. magnet spacer	AISI316	1
39	55820C0005NA	Internal Magnet	AISI316/NdFeB	1
40	91620R24A4	Nut UNI 5589 M24	A4-70	1
41	91630L2439A4	Washer NORD LOCK D.24x39	A4-70	1
42	9151OP176158	Rear Casing Gasket	PTFE	1
43	55610C006BHR	Rear casing	HC276	1
44	51310AC03D	Rear Casing Lock Ring	AISI304	1
45	91610TCE1620A2	Screw UNI5931 M6x20	A2-70	3
46	56110C006B92C	Bracket	WCB	1
47	91615M16	Eyebolt M16	Fe Zinc	1
48	9315012MAG	Plug 1/2" BSP	Fe Zinc	2
49	513101824	Adaptor Flange	Fe430	1
50	91610TCE11265A2	Screw UNI5931 M12x65	A2-70	8
51	91630S1221A2	Washer UNI1751 D.12x21	A2-70	10
52	91620N12A2	Nut UNI5588 M12	A2-70	8
53	91630N1224A2	Washer UNI6592 D.12x24	A2-70	10
54	9161OTE1240A2	Screw UNI24017 M12x40	A2-70	2
55	55910CTM00720CC	Foot	ASTM A105	1
56	9161OTE1645A2	Screw UNI24017 M16x45	A2-70	4
57	55810C000518N	External Magnet	A105/NdFeB	1

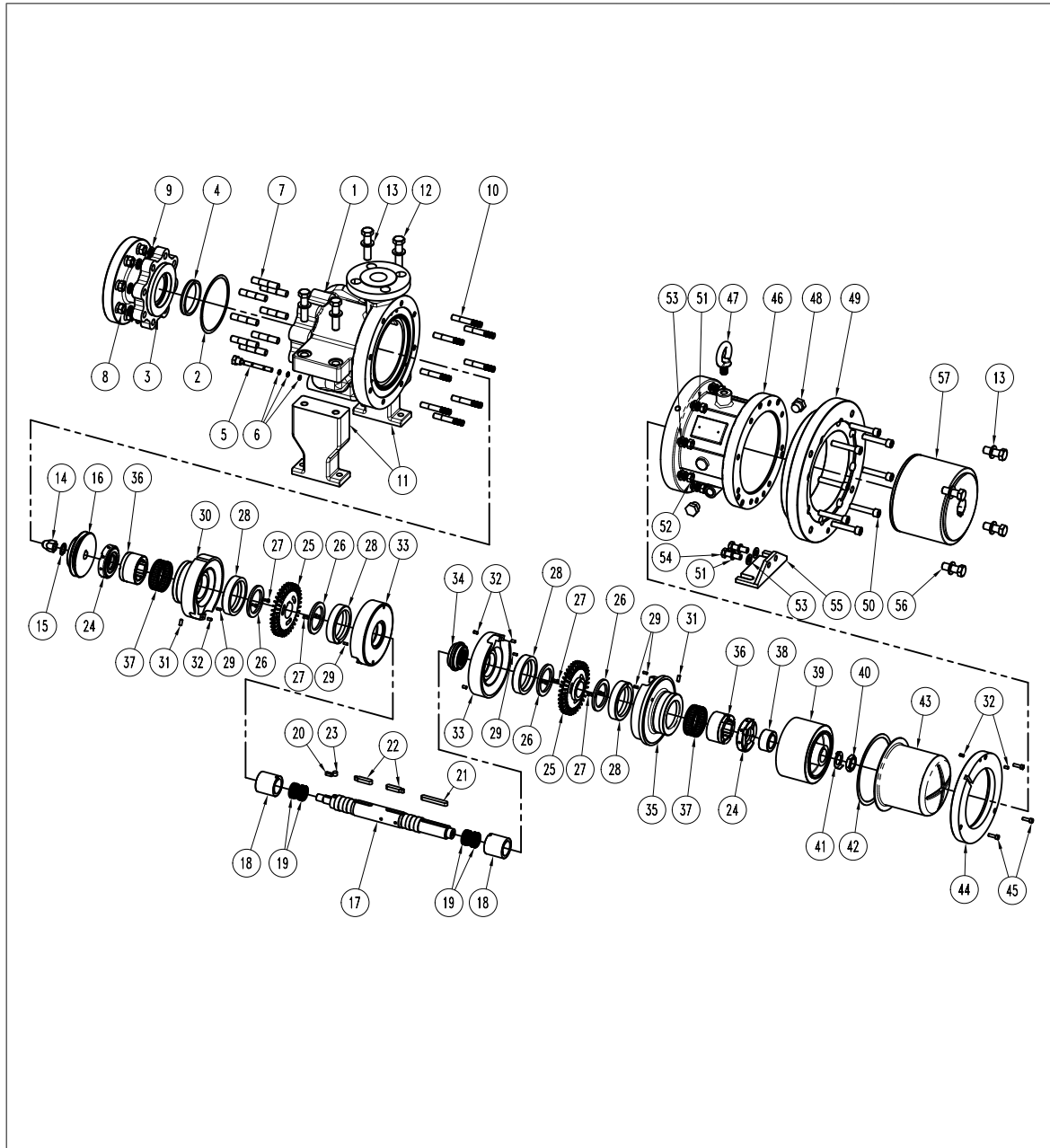
ITEM: Pump model: CT MAG-MS 8

Motor: IEC Gr 160
Port connection: Flanged
ANSI (ASA) B16.5 300 lbs / UNI EN1092-1 PN.40

- This drawing is for reference only

EXPLODED VIEW

CODE: E11126 Rev.:00



PART LIST

ITEM N°	CODE	Description	Material	Q.ty
1	5621OCTM000702AUF	Pump Casing	CF8M	1
2	91510P14351305	Pump Casing Gasket	PTFE	1
3	5552OCT0007AUF	Pump Casing Cover	CF8M	1
4	55110CXD4BA8510I	Casing Wear ring	AISI316	1
5	53150A97642	Drain plug 3/8" NPT	AISI316	1
6	92910V0602	O-Ring 3024-BS108	Viton	3
7	91610P1470A2	Stud Bolt M14x70	AISI420	8
8	91620N14A2	Nut UNI5588 M14	A2-70	8
9	91630S1424A2	Washer UNI1751 D.14x24	A2-70	8
10	91610P1263A2	Stud Bolt M12x78	AISI420	8
11	55910WAC05C	Pump Casing Foot	WCB	2
12	91610TE1670A2	Screw UNI24017 M16x70	A2-70	4
13	91630N1630A2	Washer UNI6592 16x30	A2-70	8
14	91690016A2	Int. Magnet Nut	AISI316	1
15	91630L1725A4	Washer NORD LOCK D.16x25.4	A4-70	1
16	5571OCT0007A	Centrifugal Impeller	CF8M	1
17	5501OCTM000702Y	Shaft	AISI420	1
18	902205048S	Sleeve Shaft	SSIC	2
19	91710ARSV5012	Shaft Tolerance Ring	AISI304	4
20	91640A6618A2	Key UNI6604/A 6x6x18	A2-70	1
21	91640A10870A2	Key UNI6604/A 10x8x70	A2-70	1
22	51640A10855A4S	Special Key 10x8x47	A4-70	2
23	56610D100008A	Special Key D.10x8	AISI316	1
24	56010C0002A	Thrustbearing	AISI316/SSIC	2
25	55710T0008A	Impeller	AISI316	2
26	90120T0007A	Lock Ring Wear Pad	AISI316	4
27	91610TCE1408A2	Screw UNI5931 M4x8	A2-70	8
28	93010T0007A	Wear Pad	Carbon Ant.	4
29	93030D04L10A2	Elastic Pin D.4x10	A2-70	5
30	55120T0008AA	Front Volute Ring	AISI316	1
31	916700610A2	Socket screw UNI5927 M6x10	A2-70	2
32	93030D05L10A2	Elastic pin D.5x10	A2-70	6
33	55120CTM0008AI	Intermediate Volute Ring	AISI316	2
34	50310CTM07K	Intermediate Bushing	PEEK+30%FC	1
35	55120T0008AP	Rear Volute Ring	AISI316	1
36	50310A7040CT	Bushing	Carbon Ant.	2
37	91710ARHV7025	Bushing Tolerance Ring	AISI304	2
38	50310A500238	Int. magnet spacer	AISI316	1
39	55820C0005NA	Internal Magnet	AISI316/NdFeB	1
40	91620R24A4	Nut UNI 5589 M24	A4-70	1
41	91630L2439A4	Washer NORD LOCK D.24x39	A4-70	1
42	91510P176158	Rear Casing Gasket	PTFE	1
43	55610C006BHR	Rear casing	HC276	1
44	51310AC03D	Rear Casing Lock Ring	AISI304	1
45	91610TCE1620A2	Screw UNI5931 M6x20	A2-70	3
46	56110C006B92C	Bracket	WCB	1
47	91615M16	Eyebolt M16	Fe Zinc	1
48	9315012MAG	Plug 1/2" BSP	Fe Zinc	2
49	513101824	Adaptor Flange	Fe430	1
50	91610TCE11265A2	Screw UNI5931 M12x65	A2-70	8
51	91630S1221A2	Washer UNI1751 D.12x21	A2-70	10
52	91620N12A2	Nut UNI5588 M12	A2-70	8
53	91630N1224A2	Washer UNI6592 D.12x24	A2-70	10
54	91610TE1240A2	Screw UNI24017 M12x40	A2-70	2
55	55910CTM00720CC	Foot	ASTM A105	1
56	91610TE1645A2	Screw UNI24017 M16x45	A2-70	4
57	55810C000520N	External Magnet	A105/NdFeB	1

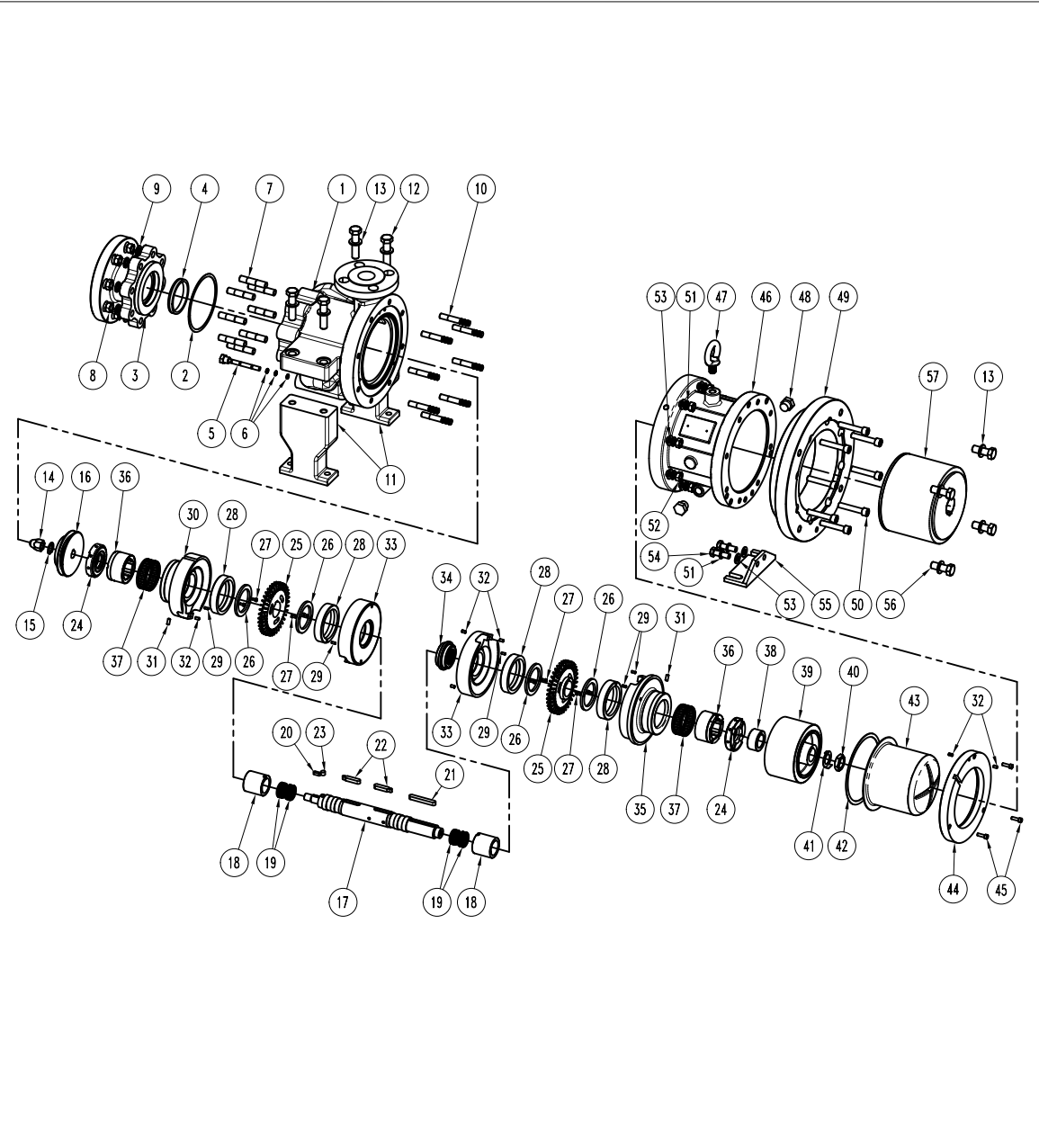
ITEM: Pump model: CT MAG-MS 8

Motor: IEC Gr 180
Port connection: Flanged
ANSI (ASA) B16.5 300 lbs / UNI EN1092-1 PN.40

- This drawing is for reference only

EXPLODED VIEW

CODE: E11127 Rev.:00



PART LIST

ITEM N°	CODE	Description	Material	Q.ty
1	5621OCTM000702AUF	Pump Casing	CF8M	1
2	91510P14351305	Pump Casing Gasket	PTFE	1
3	5552OCT0007AUF	Pump Casing Cover	CF8M	1
4	55110CXD4BA8510I	Casing Wear ring	AISI316	1
5	53150A97642	Drain plug 3/8" NPT	AISI316	1
6	92910V0602	O-Ring 3024-BS108	Viton	3
7	91610P1470A2	Stud Bolt M14x70	AISI420	8
8	91620N14A2	Nut UNI5588 M14	A2-70	8
9	91630S1424A2	Washer UNI1751 D.14x24	A2-70	8
10	91610P1263A2	Stud Bolt M12x78	AISI420	8
11	55910WAC05C	Pump Casing Foot	WCB	2
12	91610TE1670A2	Screw UNI24017 M16x70	A2-70	4
13	91630N1630A2	Washer UNI6592 16x30	A2-70	8
14	91690016A2	Int. Magnet Nut	AISI316	1
15	91630L1725A4	Washer NORD LOCK D.16x25.4	A4-70	1
16	5571OCT0007A	Centrifugal Impeller	CF8M	1
17	5501OCTM000702Y	Shaft	AISI420	1
18	902205048S	Sleeve Shaft	SSIC	2
19	91710ARSV5012	Shaft Tolerance Ring	AISI304	4
20	91640A6618A2	Key UNI6604/A 6x6x18	A2-70	1
21	91640A10870A2	Key UNI6604/A 10x8x70	A2-70	1
22	51640A10855A4S	Special Key 10x8x47	A4-70	2
23	56610D100008A	Special Key D.10x8	AISI316	1
24	56010C0002A	Thrustbearing	AISI316/SSIC	2
25	55710T0008A	Impeller	AISI316	2
26	90120T0007A	Lock Ring Wear Pad	AISI316	4
27	91610TCE1408A2	Screw UNI5931 M4x8	A2-70	8
28	93010T0007A	Wear Pad	Carbon Ant.	4
29	93030D04L10A2	Elastic Pin D.4x10	A2-70	5
30	55120T0008AA	Front Volute Ring	AISI316	1
31	916700610A2	Socket screw UNI5927 M6x10	A2-70	2
32	93030D05L10A2	Elastic pin D.5x10	A2-70	6
33	55120CTM0008AI	Intermediate Volute Ring	AISI316	2
34	50310CTM07K	Intermediate Bushing	PEEK+30%FC	1
35	55120T0008AP	Rear Volute Ring	AISI316	1
36	50310A7040CT	Bushing	Carbon Ant.	2
37	91710ARHV7025	Bushing Tolerance Ring	AISI304	2
38	50310A500238	Int. magnet spacer	AISI316	1
39	55820C0006NA	Internal Magnet	AISI316/NdFeB	1
40	91620R24A4	Nut UNI 5589 M24	A4-70	1
41	91630L2439A4	Washer NORD LOCK D.24x39	A4-70	1
42	91510P176158	Rear Casing Gasket	PTFE	1
43	55610C006BHR	Rear casing	HC276	1
44	51310AC03D	Rear Casing Lock Ring	AISI304	1
45	91610TCE1620A2	Screw UNI5931 M6x20	A2-70	3
46	56110C006B92C	Bracket	WCB	1
47	91615M16	Eyebolt M16	Fe Zinc	1
48	9315012MAG	Plug 1/2" BSP	Fe Zinc	2
49	513102225	Adaptor Flange	Fe430	1
50	91610TCE11265A2	Screw UNI5931 M12x65	A2-70	8
51	91630S1221A2	Washer UNI1751 D.12x21	A2-70	10
52	91620N12A2	Nut UNI5588 M12	A2-70	8
53	91630N1224A2	Washer UNI6592 D.12x24	A2-70	10
54	91610TE1240A2	Screw UNI24017 M12x40	A2-70	2
55	55910CTM00716CC	Foot	ASTM A105	1
56	91610TE1645A2	Screw UNI24017 M16x45	A2-70	4
57	55810C000622N	External Magnet	A105/NdFeB	1

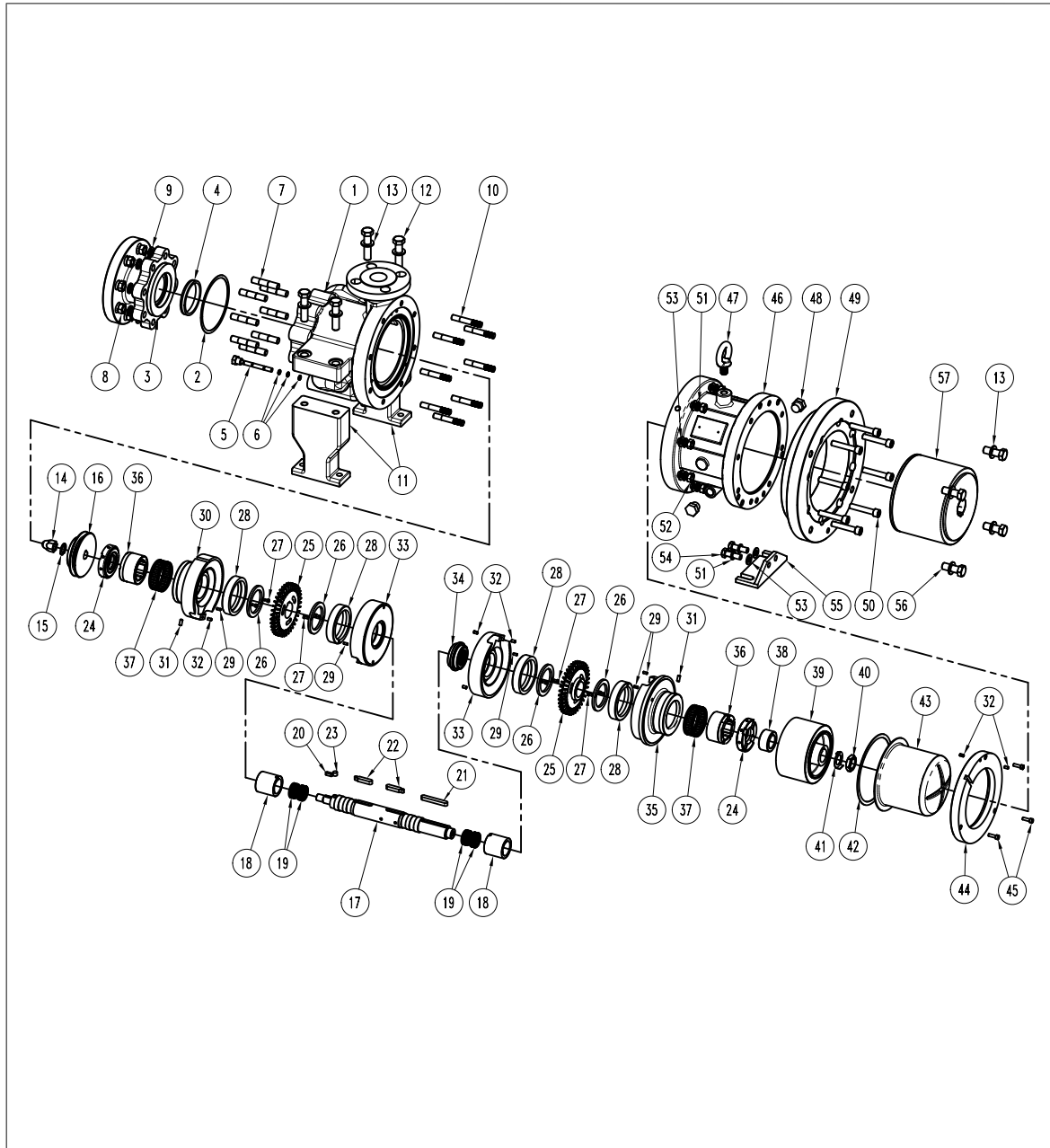
ITEM: Pump model: CT MAG-MS 8

Motor: IEC Gr 200
Port connection: Flanged
ANSI (ASA) B16.5 300 lbs / UNI EN1092-1 PN.40

- This drawing is for reference only

EXPLODED VIEW

CODE: E11128 Rev.:00



PART LIST

ITEM N°	CODE	Description	Material	Q.ty
1	5621OCTM000702AUF	Pump Casing	CF8M	1
2	9151OP14351305	Pump Casing Gasket	PTFE	1
3	5552OCT0007AUF	Pump Casing Cover	CF8M	1
4	55110CXD4BA8510I	Casing Wear ring	AISI316	1
5	53150A97642	Drain plug 3/8" NPT	AISI316	1
6	9291OV0602	O-Ring 3024-BS108	Viton	3
7	9161OP1470A2	Stud Bolt M14x70	AISI420	8
8	91620N14A2	Nut UNI5588 M14	A2-70	8
9	91630S1424A2	Washer UNI1751 D.14x24	A2-70	8
10	9161OP1263A2	Stud Bolt M12x78	AISI420	8
11	55910WAC05C	Pump Casing Foot	WCB	2
12	9161OTE1670A2	Screw UNI24017 M16x70	A2-70	4
13	91630N1630A2	Washer UNI6592 16x30	A2-70	8
14	91690016A2	Int. Magnet Nut	AISI316	1
15	91630L1725A4	Washer NORD LOCK D.16x25.4	A4-70	1
16	5571OCT0007A	Centrifugal Impeller	CF8M	1
17	5501OCTM000702Y	Shaft	AISI420	1
18	902205048S	Sleeve Shaft	SSIC	2
19	91710ARSV5012	Shaft Tolerance Ring	AISI304	4
20	91640A6618A2	Key UNI6604/A 6x6x18	A2-70	1
21	91640A10870A2	Key UNI6604/A 10x8x70	A2-70	1
22	51640A10855A4S	Special Key 10x8x47	A4-70	2
23	56610D100008A	Special Key D.10x8	AISI316	1
24	56010C0002A	Thrustbearing	AISI316/SSIC	2
25	55710T0009A	Impeller	AISI316	2
26	90120T0007A	Lock Ring Wear Pad	AISI316	4
27	91610TCE1408A2	Screw UNI5931 M4x8	A2-70	8
28	93010T0007A	Wear Pad	Carbon Ant.	4
29	93030D04L10A2	Elastic Pin D.4x10	A2-70	5
30	55120T0009AA	Front Volute Ring	AISI316	1
31	916700610A2	Socket screw UNI5927 M6x10	A2-70	2
32	93030D05L10A2	Elastic pin D.5x10	A2-70	6
33	55120CTM0009AI	Intermediate Volute Ring	AISI316	2
34	50310CTM07K	Intermediate Bushing	PEEK+30%FC	1
35	55120T0009AP	Rear Volute Ring	AISI316	1
36	50310A7040CT	Bushing	Carbon Ant.	2
37	91710ARHV7025	Bushing Tolerance Ring	AISI304	2
38	50310A500238	Int. magnet spacer	AISI316	1
39	55820CC0005NA	Internal Magnet	AISI316/NdFeB	1
40	91620R24A4	Nut UNI 5589 M24	A4-70	1
41	91630L2439A4	Washer NORD LOCK D.24x39	A4-70	1
42	9151OP176158	Rear Casing Gasket	PTFE	1
43	55610C006BHR	Rear casing	HC276	1
44	51310AC003D	Rear Casing Lock Ring	AISI304	1
45	91610TCE1620A2	Screw UNI5931 M6x20	A2-70	3
46	56110C006B92C	Bracket	WCB	1
47	91615M16	Eyebolt M16	Fe Zinc	1
48	9315012MAG	Plug 1/2" BSP	Fe Zinc	2
49	513101824	Adaptor Flange	Fe430	1
50	91610TCE11265A2	Screw UNI5931 M12x65	A2-70	8
51	91630S1221A2	Washer UNI1751 D.12x21	A2-70	10
52	91620N12A2	Nut UNI5588 M12	A2-70	8
53	91630N1224A2	Washer UNI6592 D.12x24	A2-70	10
54	9161OTE1240A2	Screw UNI24017 M12x40	A2-70	2
55	55910CTM00720CC	Foot	ASTM A105	1
56	9161OTE1645A2	Screw UNI24017 M16x45	A2-70	4
57	55810C000518N	External Magnet	A105/NdFeB	1

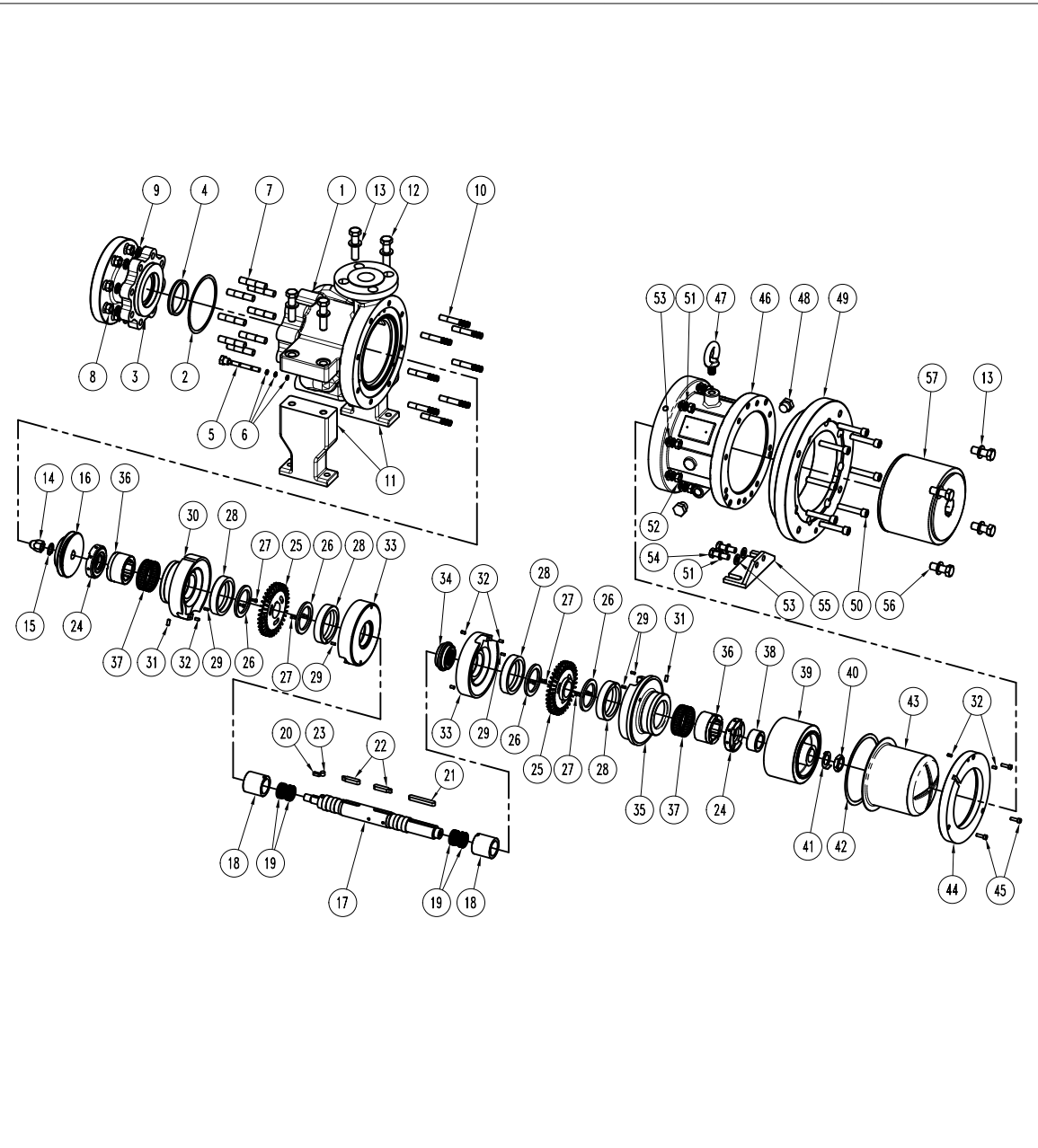
ITEM: Pump model: CT MAG-MS 9

Motor: IEC Gr 160
Port connection: Flanged
ANSI (ASA) B16.5 300 lbs / UNI EN1092-1 PN.40

- This drawing is for reference only

EXPLODED VIEW

CODE: E11129 Rev.:00



PART LIST

ITEM N°	CODE	Description	Material	Q.ty
1	5621OCTM000702AUF	Pump Casing	CFBM	1
2	9151OP14351305	Pump Casing Gasket	PTFE	1
3	5552OCT0007AUF	Pump Casing Cover	CFBM	1
4	55110CXD4BA8510I	Casing Wear ring	AISI316	1
5	53150A97642	Drain plug 3/8" NPT	AISI316	1
6	9291OV0602	O-Ring 3024-BS108	Viton	3
7	9161OP1470A2	Stud Bolt M14x70	AISI420	8
8	91620N14A2	Nut UNI5588 M14	A2-70	8
9	91630S1424A2	Washer UNI1751 D.14x24	A2-70	8
10	9161OP1263A2	Stud Bolt M12x78	AISI420	8
11	55910WAC05C	Pump Casing Foot	WCB	2
12	9161OTE1670A2	Screw UNI24017 M16x70	A2-70	4
13	91630N1630A2	Washer UNI6592 16x30	A2-70	8
14	91690016A2	Int. Magnet Nut	AISI316	1
15	91630L1725A4	Washer NORD LOCK D.16x25.4	A4-70	1
16	5571OCT0007A	Centrifugal Impeller	CFBM	1
17	5501OCTM000702Y	Shaft	AISI420	1
18	902205048S	Sleeve Shaft	SSIC	2
19	91710ARSV5012	Shaft Tolerance Ring	AISI304	4
20	91640A6618A2	Key UNI6604/A 6x6x18	A2-70	1
21	91640A10870A2	Key UNI6604/A 10x8x70	A2-70	1
22	51640A10855A4S	Special Key 10x8x47	A4-70	2
23	56610D100008A	Special Key D.10x8	AISI316	1
24	56010C0002A	Thrustbearing	AISI316/SSIC	2
25	55710T0009A	Impeller	AISI316	2
26	90120T0007A	Lock Ring Wear Pad	AISI316	4
27	91610TCE1408A2	Screw UNI5931 M4x8	A2-70	8
28	93010T0007A	Wear Pad	Carbon Ant.	4
29	93030D04L10A2	Elastic Pin D.4x10	A2-70	5
30	55120T0009AA	Front Volute Ring	AISI316	1
31	916700610A2	Socket screw UNI5927 M6x10	A2-70	2
32	93030D05L10A2	Elastic pin D.5x10	A2-70	6
33	55120CTM0009AI	Intermediate Volute Ring	AISI316	2
34	50310CTM07K	Intermediate Bushing	PEEK+30%FC	1
35	55120T0009AP	Rear Volute Ring	AISI316	1
36	50310A7040CT	Bushing	Carbon Ant.	2
37	91710ARHV7025	Bushing Tolerance Ring	AISI304	2
38	50310A500238	Int. magnet spacer	AISI316	1
39	55820C0005NA	Internal Magnet	AISI316/NdFeB	1
40	91620R24A4	Nut UNI 5589 M24	A4-70	1
41	91630L2439A4	Washer NORD LOCK D.24x39	A4-70	1
42	9151OP176158	Rear Casing Gasket	PTFE	1
43	55610C006BHR	Rear casing	HC276	1
44	51310AC03D	Rear Casing Lock Ring	AISI304	1
45	91610TCE1620A2	Screw UNI5931 M6x20	A2-70	3
46	56110C006B92C	Bracket	WCB	1
47	91615M16	Eyebolt M16	Fe Zinc	1
48	9315012MAG	Plug 1/2" BSP	Fe Zinc	2
49	513101824	Adaptor Flange	Fe430	1
50	91610TCE11265A2	Screw UNI5931 M12x65	A2-70	8
51	91630S1221A2	Washer UNI1751 D.12x21	A2-70	10
52	91620N12A2	Nut UNI5588 M12	A2-70	8
53	91630N1224A2	Washer UNI6592 D.12x24	A2-70	10
54	9161OTE1240A2	Screw UNI24017 M12x40	A2-70	2
55	55910CTM00720CC	Foot	ASTM A105	1
56	9161OTE1645A2	Screw UNI24017 M16x45	A2-70	4
57	55810C000520N	External Magnet	A105/NdFeB	1

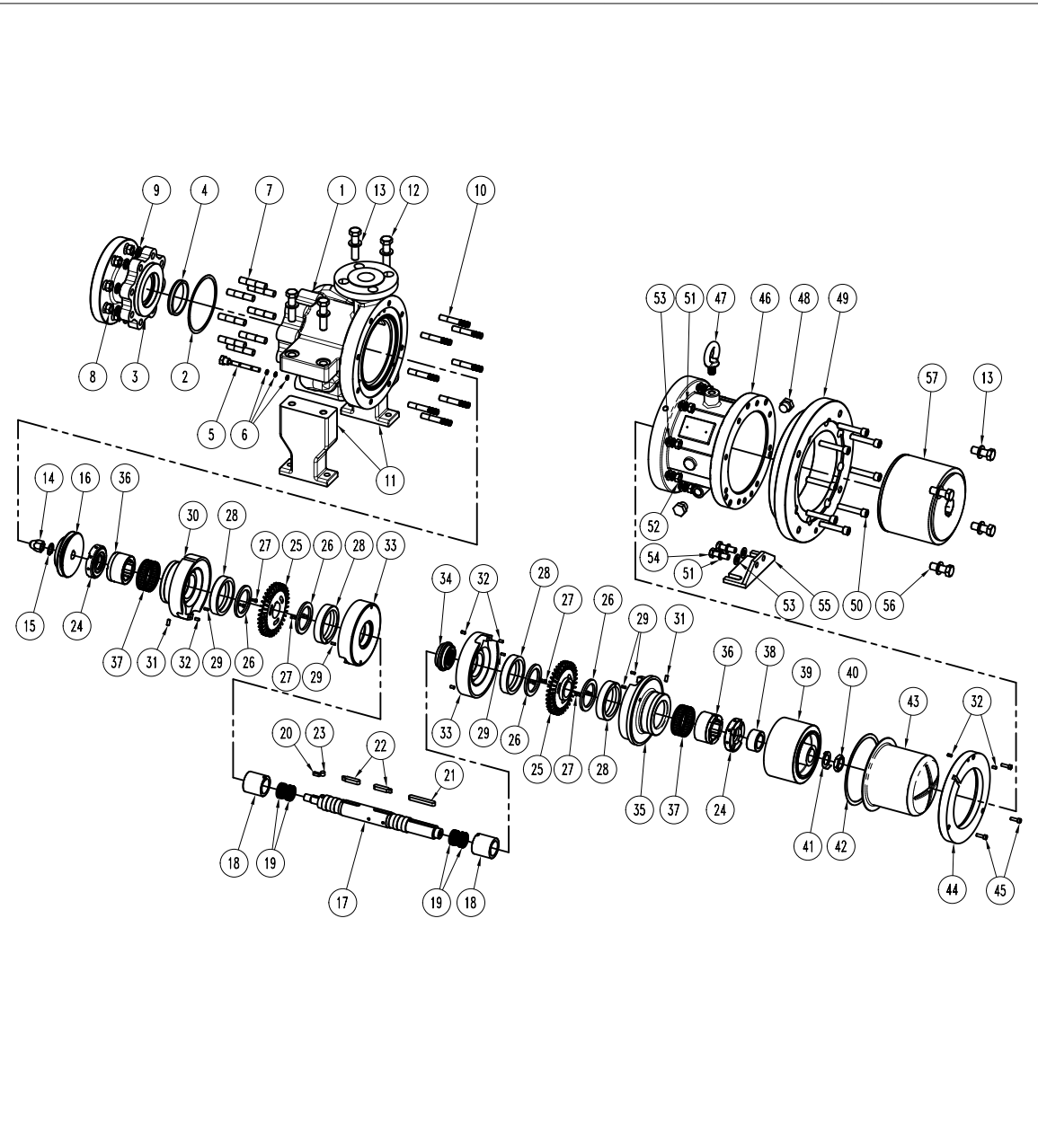
ITEM: Pump model: CT MAG-MS 9

Motor: IEC Gr 180
Port connection: Flanged
ANSI (ASA) B16.5 300 lbs / UNI EN1092-1 PN.40

- This drawing is for reference only

EXPLODED VIEW

CODE: E11130 Rev.:00



PART LIST

ITEM N°	CODE	Description	Material	Q.ty
1	5621OCTM000702AUF	Pump Casing	CFBM	1
2	91510P14351305	Pump Casing Gasket	PTFE	1
3	5552OCT0007AUF	Pump Casing Cover	CFBM	1
4	55110CXD4BA8510I	Casing Wear ring	AISI316	1
5	53150A97642	Drain plug 3/8" NPT	AISI316	1
6	92910V0602	O-Ring 3024-BS108	Viton	3
7	91610P1470A2	Stud Bolt M14x70	AISI420	8
8	91620N14A2	Nut UNI5588 M14	A2-70	8
9	91630S1424A2	Washer UNI1751 D.14x24	A2-70	8
10	91610P1263A2	Stud Bolt M12x78	AISI420	8
11	55910WAC05C	Pump Casing Foot	WCB	2
12	91610TE1670A2	Screw UNI24017 M16x70	A2-70	4
13	91630N1630A2	Washer UNI6592 16x30	A2-70	8
14	91690016A2	Int. Magnet Nut	AISI316	1
15	91630L1725A4	Washer NORD LOCK D.16x25.4	A4-70	1
16	5571OCT0007A	Centrifugal Impeller	CFBM	1
17	5501OCTM000702Y	Shaft	AISI420	1
18	902205048S	Sleeve Shaft	SSIC	2
19	91710ARSV5012	Shaft Tolerance Ring	AISI304	4
20	91640A6618A2	Key UNI6604/A 6x6x18	A2-70	1
21	91640A10870A2	Key UNI6604/A 10x8x70	A2-70	1
22	51640A10855A4S	Special Key 10x8x47	A4-70	2
23	56610D100008A	Special Key D.10x8	AISI316	1
24	56010C0002A	Thrustbearing	AISI316/SSIC	2
25	55710T0009A	Impeller	AISI316	2
26	90120T0007A	Lock Ring Wear Pad	AISI316	4
27	91610TCE1408A2	Screw UNI5931 M4x8	A2-70	8
28	93010T0007A	Wear Pad	Carbon Ant.	4
29	93030D04L10A2	Elastic Pin D.4x10	A2-70	5
30	55120T0009AA	Front Volute Ring	AISI316	1
31	916700610A2	Socket screw UNI5927 M6x10	A2-70	2
32	93030D05L10A2	Elastic pin D.5x10	A2-70	6
33	55120CTM0009AI	Intermediate Volute Ring	AISI316	2
34	50310CTM07K	Intermediate Bushing	PEEK+30%FC	1
35	55120T0009AP	Rear Volute Ring	AISI316	1
36	50310A7040CT	Bushing	Carbon Ant.	2
37	91710ARHV7025	Bushing Tolerance Ring	AISI304	2
38	50310A500238	Int. magnet spacer	AISI316	1
39	55820C0006NA	Internal Magnet	AISI316/NdFeB	1
40	91620R24A4	Nut UNI 5589 M24	A4-70	1
41	91630L2439A4	Washer NORD LOCK D.24x39	A4-70	1
42	91510P176158	Rear Casing Gasket	PTFE	1
43	55610C006BHR	Rear casing	HC276	1
44	51310AC03D	Rear Casing Lock Ring	AISI304	1
45	91610TCE1620A2	Screw UNI5931 M6x20	A2-70	3
46	56110C006B92C	Bracket	WCB	1
47	91615M16	Eyebolt M16	Fe Zinc	1
48	9315012MAG	Plug 1/2" BSP	Fe Zinc	2
49	513102225	Adaptor Flange	Fe430	1
50	91610TCE11265A2	Screw UNI5931 M12x65	A2-70	8
51	91630S1221A2	Washer UNI1751 D.12x21	A2-70	10
52	91620N12A2	Nut UNI5588 M12	A2-70	8
53	91630N1224A2	Washer UNI6592 D.12x24	A2-70	10
54	91610TE1240A2	Screw UNI24017 M12x40	A2-70	2
55	55910CTM00716CC	Foot	ASTM A105	1
56	91610TE1645A2	Screw UNI24017 M16x45	A2-70	4
57	55810C000622N	External Magnet	A105/NdFeB	1

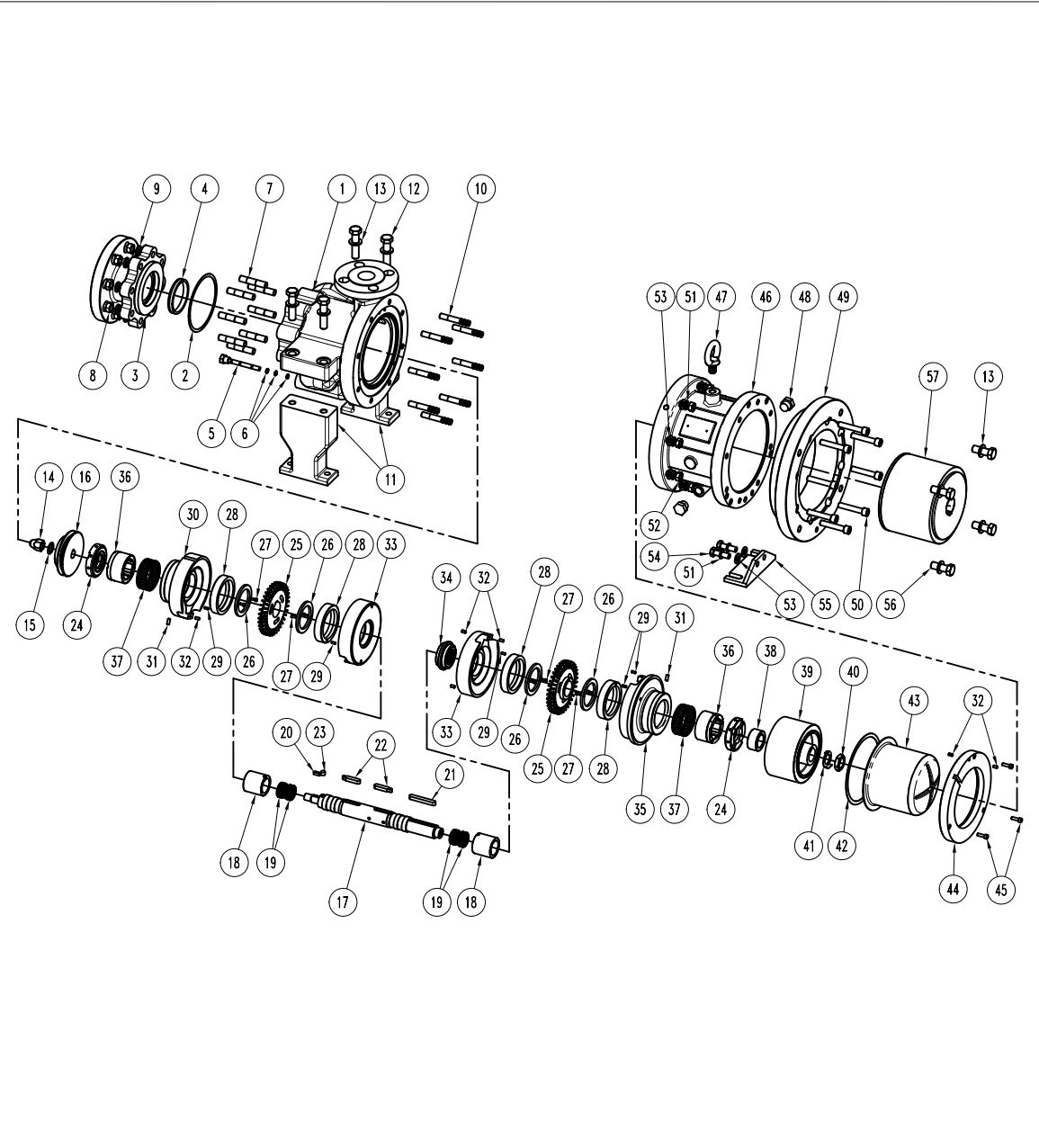
ITEM: Pump model: CT MAG-MS 9

Motor: IEC Gr 200
Port connection: Flanged
ANSI (ASA) B16.5 300 lbs / UNI EN1092-1 PN.40

- This drawing is for reference only

EXPLODED VIEW

CODE: E11131 Rev.:00



PART LIST

ITEM N°	CODE	Description	Material	Q.ty
1	5621OCTM000702AUF	Pump Casing	CF8M	1
2	91510P14351305	Pump Casing Gasket	PTFE	1
3	5552OCT0007AUF	Pump Casing Cover	CF8M	1
4	55110CXD4BA8510I	Casing Wear ring	AISI316	1
5	53150A97642	Drain plug 3/8" NPT	AISI316	1
6	92910V0602	O-Ring 3024-BS108	Viton	3
7	91610P1470A2	Stud Bolt M14x70	AISI420	8
8	91620N14A2	Nut UNI5588 M14	A2-70	8
9	91630S1424A2	Washer UNI1751 D.14x24	A2-70	8
10	91610P1263A2	Stud Bolt M12x78	AISI420	8
11	55910WAC05C	Pump Casing Foot	WCB	2
12	91610TE1670A2	Screw UNI24017 M16x70	A2-70	4
13	91630N1630A2	Washer UNI6592 16x30	A2-70	8
14	91690016A2	Int. Magnet Nut	AISI316	1
15	91630L1725A4	Washer NORD LOCK D.16x25.4	A4-70	1
16	5571OCT0007A	Centrifugal Impeller	CF8M	1
17	5501OCTM000702Y	Shaft	AISI420	1
18	902205048S	Sleeve Shaft	SSIC	2
19	91710ARSV5012	Shaft Tolerance Ring	AISI304	4
20	91640A6618A2	Key UNI6604/A 6x6x18	A2-70	1
21	91640A10870A2	Key UNI6604/A 10x8x70	A2-70	1
22	51640A10855A4S	Special Key 10x8x47	A4-70	2
23	56610D100008A	Special Key D.10x8	AISI316	1
24	56010C0002A	Thrustbearing	AISI316/SSIC	2
25	55710T0010A	Impeller	AISI316	2
26	90120T0007A	Lock Ring Wear Pad	AISI316	4
27	91610TCE1408A2	Screw UNI5931 M4x8	A2-70	8
28	93010T0007A	Wear Pad	Carbon Ant.	4
29	93030D04L10A2	Elastic Pin D.4x10	A2-70	5
30	55120T0010AA	Front Volute Ring	AISI316	1
31	916700610A2	Socket srew UNI5927 M6x10	A2-70	2
32	93030D05L10A2	Elastic pin D.5x10	A2-70	6
33	55120CTM0010AI	Intermediate Volute Ring	AISI316	2
34	50310CTM07K	Intermediate Bushing	PEEK+30%FC	1
35	55120T0010AP	Rear Volute Ring	AISI316	1
36	50310A7040CT	Bushing	Carbon Ant.	2
37	91710ARHV7025	Bushing Tolerance Ring	AISI304	2
38	50310A500238	Int. magnet spacer	AISI316	1
39	55820CC0005NA	Internal Magnet	AISI316/NdFeB	1
40	91620R24A4	Nut UNI 5589 M24	A4-70	1
41	91630L2439A4	Washer NORD LOCK D.24x39	A4-70	1
42	91510P176158	Rear Casing Gasket	PTFE	1
43	55610C006BHR	Rear casing	HC276	1
44	51310AC03D	Rear Casing Lock Ring	AISI304	1
45	91610TCE1620A2	Screw UNI5931 M6x20	A2-70	3
46	56110C006B92C	Bracket	WCB	1
47	91615M16	Eyebolt M16	Fe Zinc	1
48	9315012MAG	Plug 1/2" BSP	Fe Zinc	2
49	513101824	Adaptor Flange	Fe430	1
50	91610TCE11265A2	Screw UNI5931 M12x65	A2-70	8
51	91630S1221A2	Washer UNI1751 D.12x21	A2-70	10
52	91620N12A2	Nut UNI5588 M12	A2-70	8
53	91630N1224A2	Washer UNI6592 D.12x24	A2-70	10
54	91610TE1240A2	Screw UNI24017 M12x40	A2-70	2
55	55910CTM00720CC	Foot	ASTM A105	1
56	91610TE1645A2	Screw UNI24017 M16x45	A2-70	4
57	55810C000518N	External Magnet	A105/NdFeB	1

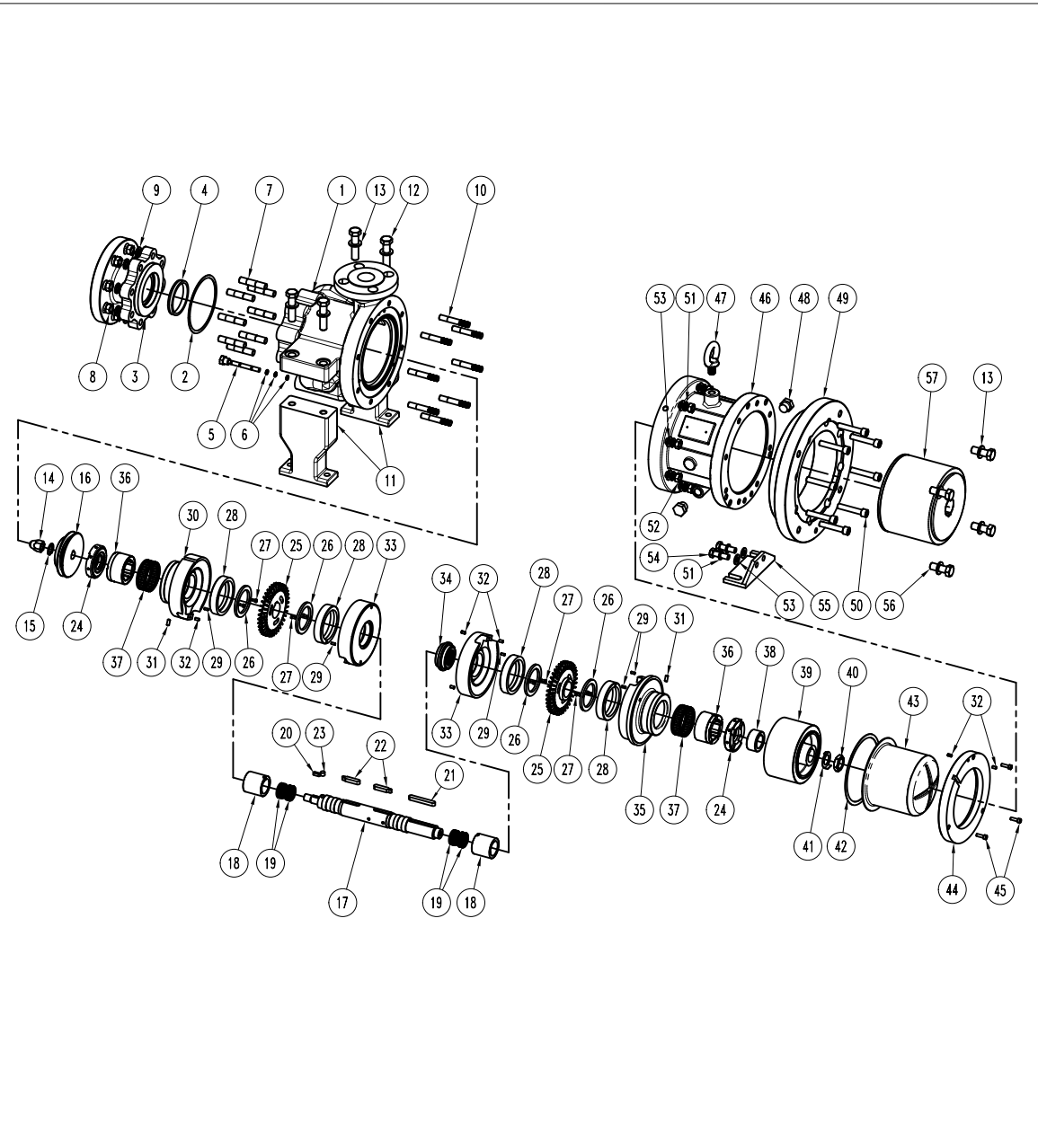
ITEM: Pump model: CT MAG-MS 10

Motor: IEC Gr 160
Port connection: Flanged
ANSI (ASA) B16.5 300 lbs / UNI EN1092-1 PN.40

- This drawing is for reference only

EXPLODED VIEW

CODE: E11132 Rev.:00



PART LIST

ITEM N°	CODE	Description	Material	Q.ty
1	5621OCTM000702AUF	Pump Casing	CF8M	1
2	91510P14351305	Pump Casing Gasket	PTFE	1
3	5552OCT0007AUF	Pump Casing Cover	CF8M	1
4	55110CXD4BA8510I	Casing Wear ring	AISI316	1
5	53150A97642	Drain plug 3/8" NPT	AISI316	1
6	92910V0602	O-Ring 3024-BS108	Viton	3
7	91610P1470A2	Stud Bolt M14x70	AISI420	8
8	91620N14A2	Nut UNI5588 M14	A2-70	8
9	91630S1424A2	Washer UNI1751 D.14x24	A2-70	8
10	91610P1263A2	Stud Bolt M12x78	AISI420	8
11	55910WAC05C	Pump Casing Foot	WCB	2
12	91610TE1670A2	Screw UNI24017 M16x70	A2-70	4
13	91630N1630A2	Washer UNI6592 16x30	A2-70	8
14	91690016A2	Int. Magnet Nut	AISI316	1
15	91630L1725A4	Washer NORD LOCK D.16x25.4	A4-70	1
16	5571OCT0007A	Centrifugal Impeller	CF8M	1
17	5501OCTM000702Y	Shaft	AISI420	1
18	902205048S	Sleeve Shaft	SSIC	2
19	91710ARSV5012	Shaft Tolerance Ring	AISI304	4
20	91640A6618A2	Key UNI6604/A 6x6x18	A2-70	1
21	91640A10870A2	Key UNI6604/A 10x8x70	A2-70	1
22	51640A10855A4S	Special Key 10x8x47	A4-70	2
23	56610D100008A	Special Key D.10x8	AISI316	1
24	56010C0002A	Thrustbearing	AISI316/SSIC	2
25	55710T0010A	Impeller	AISI316	2
26	90120T0007A	Lock Ring Wear Pad	AISI316	4
27	91610TCE1408A2	Screw UNI5931 M4x8	A2-70	8
28	93010T0007A	Wear Pad	Carbon Ant.	4
29	93030D04L10A2	Elastic Pin D.4x10	A2-70	5
30	55120T0010A	Front Volute Ring	AISI316	1
31	916700610A2	Socket screw UNI5927 M6x10	A2-70	2
32	93030D05L10A2	Elastic pin D.5x10	A2-70	6
33	55120CTM0010AI	Intermediate Volute Ring	AISI316	2
34	50310CTM07K	Intermediate Bushing	PEEK+30%FC	1
35	55120T0010AP	Rear Volute Ring	AISI316	1
36	50310A7040CT	Bushing	Carbon Ant.	2
37	91710ARHV7025	Bushing Tolerance Ring	AISI304	2
38	50310A500238	Int. magnet spacer	AISI316	1
39	55820C0005NA	Internal Magnet	AISI316/NdFeB	1
40	91620R24A4	Nut UNI 5589 M24	A4-70	1
41	91630L2439A4	Washer NORD LOCK D.24x39	A4-70	1
42	91510P176158	Rear Casing Gasket	PTFE	1
43	55610C006BHR	Rear casing	HC276	1
44	51310AC03D	Rear Casing Lock Ring	AISI304	1
45	91610TCE1620A2	Screw UNI5931 M6x20	A2-70	3
46	56110C006B92C	Bracket	WCB	1
47	91615M16	Eyebolt M16	Fe Zinc	1
48	9315012MAG	Plug 1/2" BSP	Fe Zinc	2
49	513101824	Adaptor Flange	Fe430	1
50	91610TCE11265A2	Screw UNI5931 M12x65	A2-70	8
51	91630S1221A2	Washer UNI1751 D.12x21	A2-70	10
52	91620N12A2	Nut UNI5588 M12	A2-70	8
53	91630N1224A2	Washer UNI6592 D.12x24	A2-70	10
54	91610TE1240A2	Screw UNI24017 M12x40	A2-70	2
55	55910CTM00720CC	Foot	ASTM A105	1
56	91610TE1645A2	Screw UNI24017 M16x45	A2-70	4
57	55810C000520N	External Magnet	A105/NdFeB	1

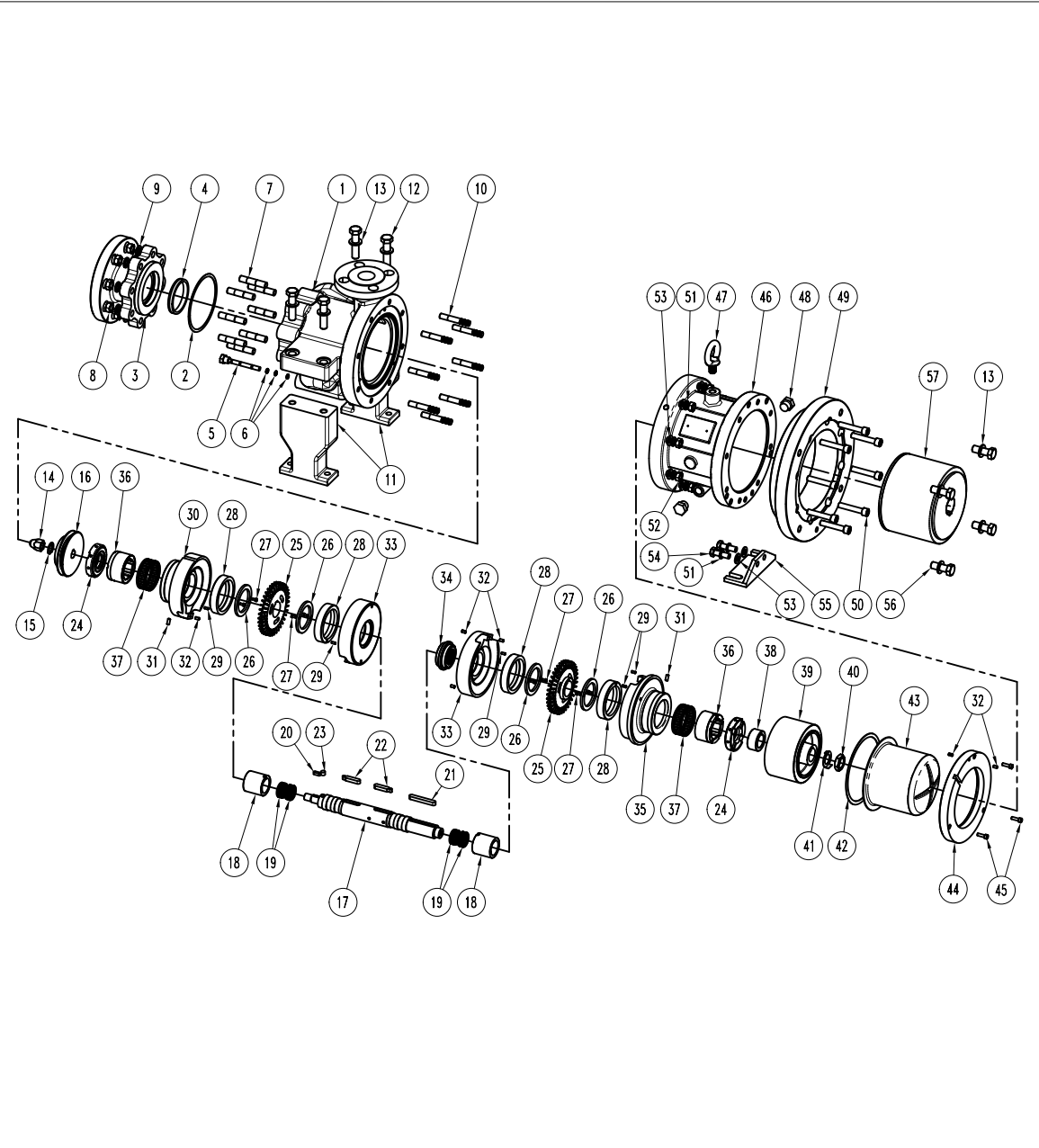
ITEM: Pump model: CT MAG-MS 10

Motor: IEC Gr 180
Port connection: Flanged
ANSI (ASA) B16.5 300 lbs / UNI EN1092-1 PN.40

- This drawing is for reference only

EXPLODED VIEW

CODE: E11133 Rev.:00



PART LIST

ITEM N°	CODE	Description	Material	Q.ty
1	5621OCTM000702AUF	Pump Casing	CF8M	1
2	91510P14351305	Pump Casing Gasket	PTFE	1
3	5552OCT0007AUF	Pump Casing Cover	CF8M	1
4	55110CXD4BA8510I	Casing Wear ring	AISI316	1
5	53150A97642	Drain plug 3/8" NPT	AISI316	1
6	92910V0602	O-Ring 3024-BS108	Viton	3
7	91610P1470A2	Stud Bolt M14x70	AISI420	8
8	91620N14A2	Nut UNI5588 M14	A2-70	8
9	91630S1424A2	Washer UNI1751 D.14x24	A2-70	8
10	91610P1263A2	Stud Bolt M12x78	AISI420	8
11	55910WAC05C	Pump Casing Foot	WCB	2
12	91610TE1670A2	Screw UNI24017 M16x70	A2-70	4
13	91630N1630A2	Washer UNI6592 16x30	A2-70	8
14	91690016A2	Int. Magnet Nut	AISI316	1
15	91630L1725A4	Washer NORD LOCK D.16x25.4	A4-70	1
16	5571OCT0007A	Centrifugal Impeller	CF8M	1
17	5501OCTM000702Y	Shaft	AISI420	1
18	90220S048S	Sleeve Shaft	SSIC	2
19	91710ARSV5012	Shaft Tolerance Ring	AISI304	4
20	91640A6618A2	Key UNI6604/A 6x6x18	A2-70	1
21	91640A10870A2	Key UNI6604/A 10x8x70	A2-70	1
22	51640A10855A4S	Special Key 10x8x47	A4-70	2
23	56610D100008A	Special Key D.10x8	AISI316	1
24	56010C0002A	Thrustbearing	AISI316/SSIC	2
25	55710T0010A	Impeller	AISI316	2
26	90120T0007A	Lock Ring Wear Pad	AISI316	4
27	91610TCE1408A2	Screw UNI5931 M4x8	A2-70	8
28	93010T0007A	Wear Pad	Carbon Ant.	4
29	93030D04L10A2	Elastic Pin D.4x10	A2-70	5
30	55120T0010AA	Front Volute Ring	AISI316	1
31	916700610A2	Socket srew UNI5927 M6x10	A2-70	2
32	93030D05L10A2	Elastic pin D.5x10	A2-70	6
33	55120CTM0010AI	Intermediate Volute Ring	AISI316	2
34	50310CTM07K	Intermediate Bushing	PEEK+30%FC	1
35	55120T0010AP	Rear Volute Ring	AISI316	1
36	50310A7040CT	Bushing	Carbon Ant.	2
37	91710ARHV702S	Bushing Tolerance Ring	AISI304	2
38	50310A500238	Int. magnet spacer	AISI316	1
39	55820C0006NA	Internal Magnet	AISI316/NdFeB	1
40	91620R24A4	Nut UNI 5589 M24	A4-70	1
41	91630L2439A4	Washer NORD LOCK D.24x39	A4-70	1
42	91510P176158	Rear Casing Gasket	PTFE	1
43	55610C006BHR	Rear casing	HC276	1
44	51310AC03D	Rear Casing Lock Ring	AISI304	1
45	91610TCE1620A2	Screw UNI5931 M6x20	A2-70	3
46	56110C006B92C	Bracket	WCB	1
47	91615M16	Eyebolt M16	Fe Zinc	1
48	9315012MAG	Plug 1/2" BSP	Fe Zinc	2
49	513102225	Adaptor Flange	Fe430	1
50	91610TCE11265A2	Screw UNI5931 M12x65	A2-70	8
51	91630S1221A2	Washer UNI1751 D.12x21	A2-70	10
52	91620N12A2	Nut UNI5588 M12	A2-70	8
53	91630N1224A2	Washer UNI6592 D.12x24	A2-70	10
54	91610TE1240A2	Screw UNI24017 M12x40	A2-70	2
55	55910CTM00716CC	Foot	ASTM A105	1
56	91610TE1645A2	Screw UNI24017 M16x45	A2-70	4
57	55810C000622N	External Magnet	A105/NdFeB	1

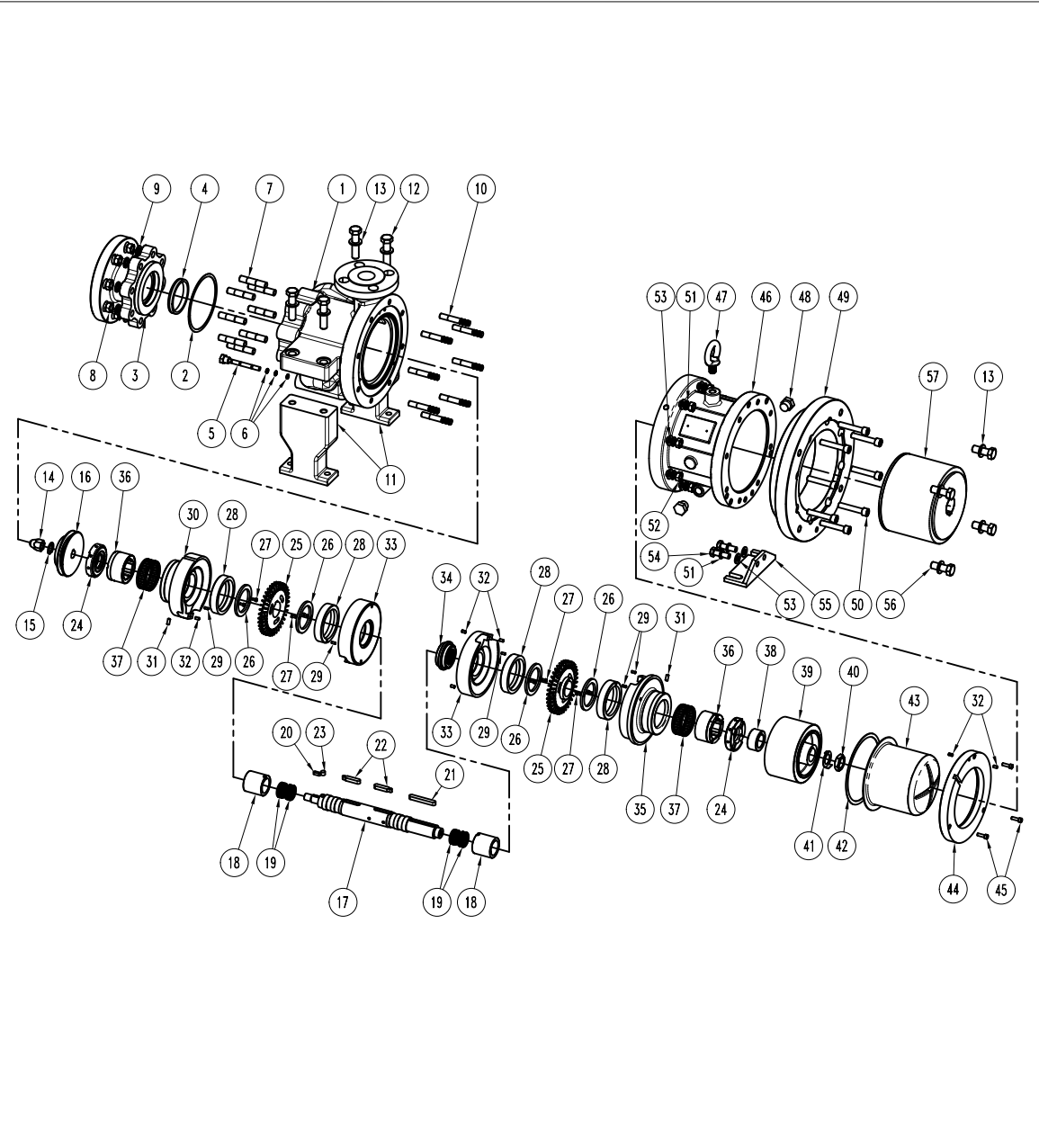
ITEM: Pump model: CT MAG-MS 10

Motor: IEC Gr 200
Port connection: Flanged
ANSI (ASA) B16.5 300 lbs / UNI EN1092-1 PN.40

- This drawing is for reference only

EXPLODED VIEW

CODE: E11134 Rev.:00



PART LIST

ITEM N°	CODE	Description	Material	Q.ty
1	5621OCTM000702AUF	Pump Casing	CF8M	1
2	9151OP14351305	Pump Casing Gasket	PTFE	1
3	5552OCT0007AUF	Pump Casing Cover	CF8M	1
4	55110CXD4BA8510I	Casing Wear ring	AISI316	1
5	53150A97642	Drain plug 3/8" NPT	AISI316	1
6	9291OV0602	O-Ring 3024-BS108	Viton	3
7	9161OP1470A2	Stud Bolt M14x70	AISI420	8
8	91620N14A2	Nut UNI5588 M14	A2-70	8
9	91630S1424A2	Washer UNI1751 D.14x24	A2-70	8
10	9161OP1263A2	Stud Bolt M12x78	AISI420	8
11	55910WAC05C	Pump Casing Foot	WCB	2
12	9161OTE1670A2	Screw UNI24017 M16x70	A2-70	4
13	91630N1630A2	Washer UNI6592 16x30	A2-70	8
14	91690016A2	Int. Magnet Nut	AISI316	1
15	91630L1725A4	Washer NORD LOCK D.16x25.4	A4-70	1
16	5571OCT0007A	Centrifugal Impeller	CF8M	1
17	5501OCTM000702Y	Shaft	AISI420	1
18	902205048S	Sleeve Shaft	SSIC	2
19	91710ARSV5012	Shaft Tolerance Ring	AISI304	4
20	91640A6618A2	Key UNI6604/A 6x6x18	A2-70	1
21	91640A10870A2	Key UNI6604/A 10x8x70	A2-70	1
22	51640A10855A4S	Special Key 10x8x47	A4-70	2
23	56610D100008A	Special Key D.10x8	AISI316	1
24	56010C0002A	Thrustbearing	AISI316/SSIC	2
25	55710T0011A	Impeller	AISI316	2
26	90120T0007A	Lock Ring Wear Pad	AISI316	4
27	91610TCE1408A2	Screw UNI5931 M4x8	A2-70	8
28	93010T0007A	Wear Pad	Carbon Ant.	4
29	93030D04L10A2	Elastic Pin D.4x10	A2-70	5
30	55120T0011AA	Front Volute Ring	AISI316	1
31	916700610A2	Socket screw UNI5927 M6x10	A2-70	2
32	93030D05L10A2	Elastic pin D.5x10	A2-70	6
33	55120CTM0011AI	Intermediate Volute Ring	AISI316	2
34	50310CTM07K	Intermediate Bushing	PEEK+30%FC	1
35	55120T0011AP	Rear Volute Ring	AISI316	1
36	50310A7040CT	Bushing	Carbon Ant.	2
37	91710ARHV7025	Bushing Tolerance Ring	AISI304	2
38	50310A500238	Int. magnet spacer	AISI316	1
39	55820C0005NA	Internal Magnet	AISI316/NdFeB	1
40	91620R24A4	Nut UNI 5589 M24	A4-70	1
41	91630L2439A4	Washer NORD LOCK D.24x39	A4-70	1
42	9151OP176158	Rear Casing Gasket	PTFE	1
43	55610C006BHR	Rear casing	HC276	1
44	51310AC03D	Rear Casing Lock Ring	AISI304	1
45	91610TCE1620A2	Screw UNI5931 M6x20	A2-70	3
46	56110C006B92C	Bracket	WCB	1
47	91615M16	Eyebolt M16	Fe Zinc	1
48	9315012MAG	Plug 1/2" BSP	Fe Zinc	2
49	513101824	Adaptor Flange	Fe430	1
50	91610TCE11265A2	Screw UNI5931 M12x65	A2-70	8
51	91630S1221A2	Washer UNI1751 D.12x21	A2-70	10
52	91620N12A2	Nut UNI5588 M12	A2-70	8
53	91630N1224A2	Washer UNI6592 D.12x24	A2-70	10
54	9161OTE1240A2	Screw UNI24017 M12x40	A2-70	2
55	55910CTM00720CC	Foot	ASTM A105	1
56	9161OTE1645A2	Screw UNI24017 M16x45	A2-70	4
57	55810C000518N	External Magnet	A105/NdFeB	1

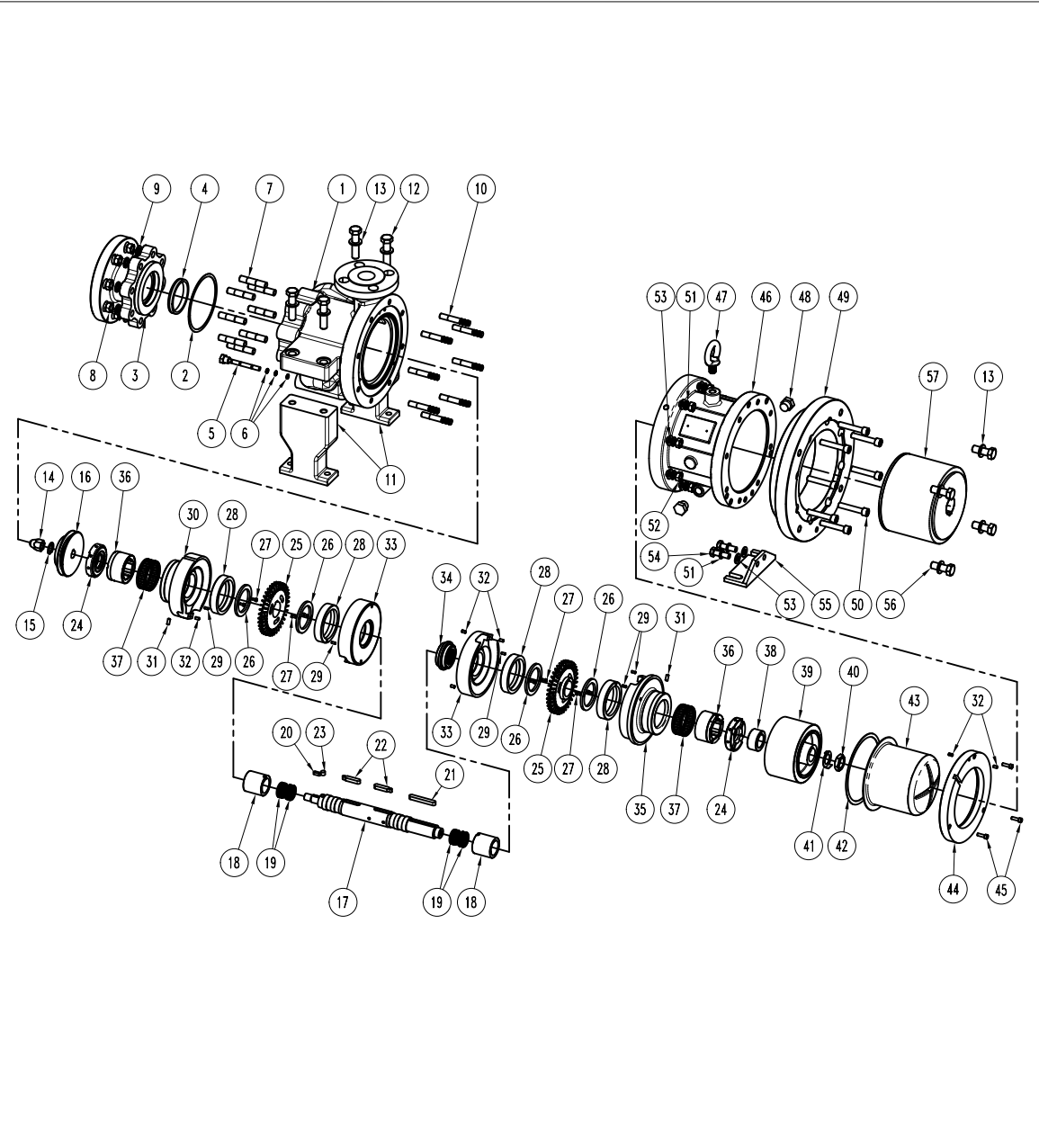
ITEM: Pump model: CT MAG-MS 11

Motor: IEC Gr 160
Port connection: Flanged
ANSI (ASA) B16.5 300 lbs / UNI EN1092-1 PN.40

- This drawing is for reference only

EXPLODED VIEW

CODE: E11135 Rev.:00



PART LIST

ITEM N°	CODE	Description	Material	Q.ty
1	5621OCTM000702AUF	Pump Casing	CFBM	1
2	91510P14351305	Pump Casing Gasket	PTFE	1
3	5552OCT0007AUF	Pump Casing Cover	CFBM	1
4	55110CXD4BA8510I	Casing Wear ring	AISI316	1
5	53150A97642	Drain plug 3/8" NPT	AISI316	1
6	92910V0602	O-Ring 3024-BS108	Viton	3
7	91610P1470A2	Stud Bolt M14x70	AISI420	8
8	91620N14A2	Nut UNI5588 M14	A2-70	8
9	91630S1424A2	Washer UNI1751 D.14x24	A2-70	8
10	91610P1263A2	Stud Bolt M12x78	AISI420	8
11	55910WAC05C	Pump Casing Foot	WCB	2
12	91610TE1670A2	Screw UNI24017 M16x70	A2-70	4
13	91630N1630A2	Washer UNI6592 16x30	A2-70	8
14	91690016A2	Int. Magnet Nut	AISI316	1
15	91630L1725A4	Washer NORD LOCK D.16x25.4	A4-70	1
16	5571OCT0007A	Centrifugal Impeller	CFBM	1
17	5501OCTM000702Y	Shaft	AISI420	1
18	902205048S	Sleeve Shaft	SSIC	2
19	91710ARSV5012	Shaft Tolerance Ring	AISI304	4
20	91640A6618A2	Key UNI6604/A 6x6x18	A2-70	1
21	91640A10870A2	Key UNI6604/A 10x8x70	A2-70	1
22	51640A10855A4S	Special Key 10x8x47	A4-70	2
23	56610D100008A	Special Key D.10x8	AISI316	1
24	56010C0002A	Thrustbearing	AISI316/SSIC	2
25	55710T0011A	Impeller	AISI316	2
26	90120T0007A	Lock Ring Wear Pad	AISI316	4
27	91610TCE1408A2	Screw UNI5931 M4x8	A2-70	8
28	93010T0007A	Wear Pad	Carbon Ant.	4
29	93030D04L10A2	Elastic Pin D.4x10	A2-70	5
30	55120T0011AA	Front Volute Ring	AISI316	1
31	916700610A2	Socket srew UNI5927 M6x10	A2-70	2
32	93030D05L10A2	Elastic pin D.5x10	A2-70	6
33	55120CTM0011AI	Intermediate Volute Ring	AISI316	2
34	50310CTM07K	Intermediate Bushing	PEEK+30%FC	1
35	55120T0011AP	Rear Volute Ring	AISI316	1
36	50310A7040CT	Bushing	Carbon Ant.	2
37	91710ARHV7025	Bushing Tolerance Ring	AISI304	2
38	50310A500238	Int. magnet spacer	AISI316	1
39	55820C0005NA	Internal Magnet	AISI316/NdFeB	1
40	91620R24A4	Nut UNI 5589 M24	A4-70	1
41	91630L2439A4	Washer NORD LOCK D.24x39	A4-70	1
42	91510P176158	Rear Casing Gasket	PTFE	1
43	55610C006BHR	Rear casing	HC276	1
44	51310AC03D	Rear Casing Lock Ring	AISI304	1
45	91610TCE1620A2	Screw UNI5931 M6x20	A2-70	3
46	56110C006B92C	Bracket	WCB	1
47	91615M16	Eyebolt M16	Fe Zinc	1
48	9315012MAG	Plug 1/2" BSP	Fe Zinc	2
49	513101824	Adaptor Flange	Fe430	1
50	91610TCE11265A2	Screw UNI5931 M12x65	A2-70	8
51	91630S1221A2	Washer UNI1751 D.12x21	A2-70	10
52	91620N12A2	Nut UNI5588 M12	A2-70	8
53	91630N1224A2	Washer UNI6592 D.12x24	A2-70	10
54	91610TE1240A2	Screw UNI24017 M12x40	A2-70	2
55	55910CTM00720CC	Foot	ASTM A105	1
56	91610TE1645A2	Screw UNI24017 M16x45	A2-70	4
57	55810C000520N	External Magnet	A105/NdFeB	1

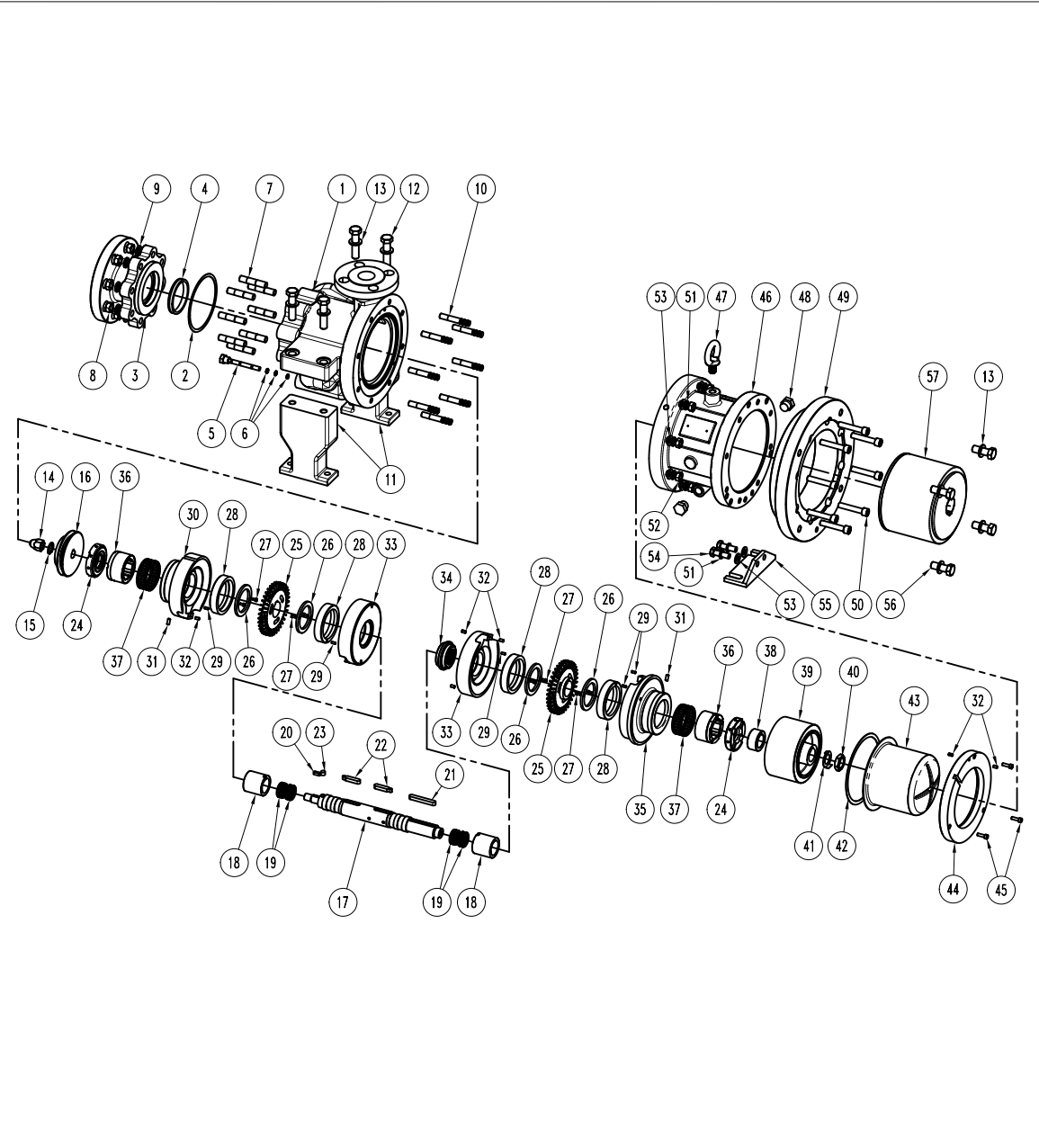
ITEM: Pump model: CT MAG-MS 11

Motor: IEC Gr 180
Port connection: Flanged
ANSI (ASA) B16.5 300 lbs / UNI EN1092-1 PN.40

- This drawing is for reference only

EXPLODED VIEW

CODE: E11136 Rev.:00



PART LIST

ITEM N°	CODE	Description	Material	Q.ty
1	5621OCTM000702AUF	Pump Casing	CF8M	1
2	9151OP14351305	Pump Casing Gasket	PTFE	1
3	5552OCT0007AUF	Pump Casing Cover	CF8M	1
4	55110CXD4BA8510I	Casing Wear ring	AISI316	1
5	53150A97642	Drain plug 3/8" NPT	AISI316	1
6	9291OV0602	O-Ring 3024-BS108	Viton	3
7	9161OP1470A2	Stud Bolt M14x70	AISI420	8
8	91620N14A2	Nut UNI5588 M14	A2-70	8
9	91630S1424A2	Washer UNI1751 D.14x24	A2-70	8
10	9161OP1263A2	Stud Bolt M12x78	AISI420	8
11	55910WAC05C	Pump Casing Foot	WCB	2
12	9161OTE1670A2	Screw UNI24017 M16x70	A2-70	4
13	91630N1630A2	Washer UNI6592 16x30	A2-70	8
14	91690016A2	Int. Magnet Nut	AISI316	1
15	91630L1725A4	Washer NORD LOCK D.16x25.4	A4-70	1
16	5571OCT0007A	Centrifugal Impeller	CF8M	1
17	5501OCTM000702Y	Shaft	AISI420	1
18	902205048S	Sleeve Shaft	SSIC	2
19	91710ARSV5012	Shaft Tolerance Ring	AISI304	4
20	91640A6618A2	Key UNI6604/A 6x6x18	A2-70	1
21	91640A10870A2	Key UNI6604/A 10x8x70	A2-70	1
22	51640A10855A4S	Special Key 10x8x47	A4-70	2
23	56610D100008A	Special Key D.10x8	AISI316	1
24	56010C0002A	Thrustbearing	AISI316/SSIC	2
25	55710T0011A	Impeller	AISI316	2
26	90120T0007A	Lock Ring Wear Pad	AISI316	4
27	91610TCE1408A2	Screw UNI5931 M4x8	A2-70	8
28	93010T0007A	Wear Pad	Carbon Ant.	4
29	93030D04L10A2	Elastic Pin D.4x10	A2-70	5
30	55120T0011AA	Front Volute Ring	AISI316	1
31	916700610A2	Socket screw UNI5927 M6x10	A2-70	2
32	93030D05L10A2	Elastic pin D.5x10	A2-70	6
33	55120CTM0011AI	Intermediate Volute Ring	AISI316	2
34	50310CTM07K	Intermediate Bushing	PEEK+30%FC	1
35	55120T0011AP	Rear Volute Ring	AISI316	1
36	50310A7040CT	Bushing	Carbon Ant.	2
37	91710ARHV7025	Bushing Tolerance Ring	AISI304	2
38	50310A500238	Int. magnet spacer	AISI316	1
39	55820C0006NA	Internal Magnet	AISI316/NdFeB	1
40	91620R24A4	Nut UNI 5589 M24	A4-70	1
41	91630L2439A4	Washer NORD LOCK D.24x39	A4-70	1
42	9151OP176158	Rear Casing Gasket	PTFE	1
43	55610C006BHR	Rear casing	HC276	1
44	51310AC03D	Rear Casing Lock Ring	AISI304	1
45	91610TCE1620A2	Screw UNI5931 M6x20	A2-70	3
46	56110C006B92C	Bracket	WCB	1
47	91615M16	Eyebolt M16	Fe Zinc	1
48	9315012MAG	Plug 1/2" BSP	Fe Zinc	2
49	513102225	Adaptor Flange	Fe430	1
50	91610TCE11265A2	Screw UNI5931 M12x65	A2-70	8
51	91630S1221A2	Washer UNI1751 D.12x21	A2-70	10
52	91620N12A2	Nut UNI5588 M12	A2-70	8
53	91630N1224A2	Washer UNI6592 D.12x24	A2-70	10
54	9161OTE1240A2	Screw UNI24017 M12x40	A2-70	2
55	55910CTM00716CC	Foot	ASTM A105	1
56	9161OTE1645A2	Screw UNI24017 M16x45	A2-70	4
57	55810C000622N	External Magnet	A105/NdFeB	1

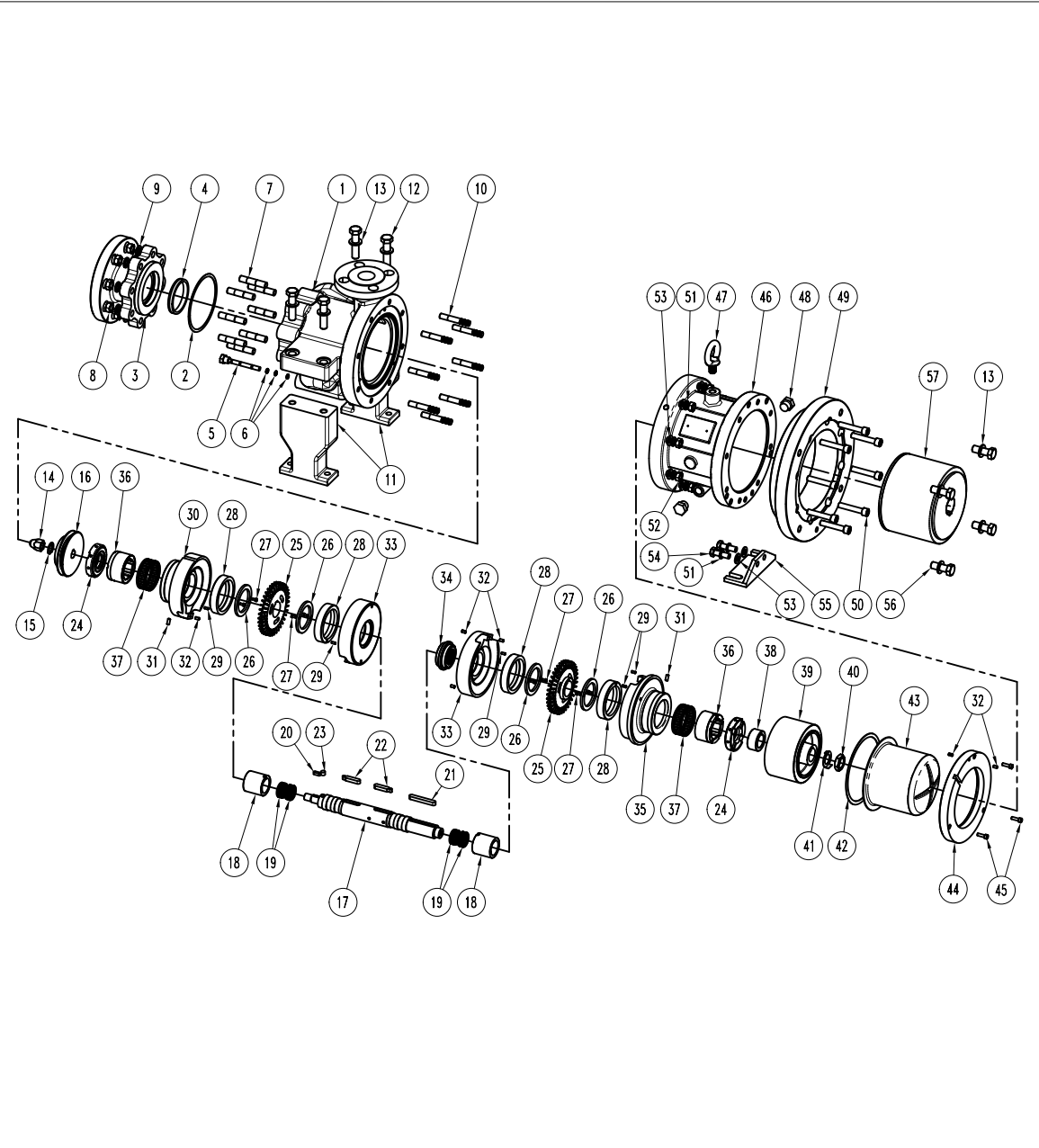
ITEM: Pump model: CT MAG-MS 11

Motor: IEC Gr 200
Port connection: Flanged
ANSI (ASA) B16.5 300 lbs / UNI EN1092-1 PN.40

- This drawing is for reference only

EXPLODED VIEW

CODE: E11137 Rev.:00



PART LIST

ITEM N°	CODE	Description	Material	Q.ty
1	5621OCTM000702AUF	Pump Casing	CF8M	1
2	91510P14351305	Pump Casing Gasket	PTFE	1
3	5552OCT0007AUF	Pump Casing Cover	CF8M	1
4	55110CXD4BA8510I	Casing Wear ring	AISI316	1
5	53150A97642	Drain plug 3/8" NPT	AISI316	1
6	92910V0602	O-Ring 3024-BS108	Viton	3
7	91610P1470A2	Stud Bolt M14x70	AISI420	8
8	91620N14A2	Nut UNI5588 M14	A2-70	8
9	91630S1424A2	Washer UNI1751 D.14x24	A2-70	8
10	91610P1263A2	Stud Bolt M12x78	AISI420	8
11	55910WAC05C	Pump Casing Foot	WCB	2
12	91610TE1670A2	Screw UNI24017 M16x70	A2-70	4
13	91630N1630A2	Washer UNI6592 16x30	A2-70	8
14	91690016A2	Int. Magnet Nut	AISI316	1
15	91630L1725A4	Washer NORD LOCK D.16x25.4	A4-70	1
16	5571OCT0007A	Centrifugal Impeller	CF8M	1
17	5501OCTM000702Y	Shaft	AISI420	1
18	902205048S	Sleeve Shaft	SSIC	2
19	91710ARSV5012	Shaft Tolerance Ring	AISI304	4
20	91640A6618A2	Key UNI6604/A 6x6x18	A2-70	1
21	91640A10870A2	Key UNI6604/A 10x8x70	A2-70	1
22	51640A10855A4S	Special Key 10x8x47	A4-70	2
23	56610D100008A	Special Key D.10x8	AISI316	1
24	56010C0002A	Thrustbearing	AISI316/SSIC	2
25	55710T0012A	Impeller	AISI316	2
26	90120T0007A	Lock Ring Wear Pad	AISI316	4
27	91610TCE1408A2	Screw UNI5931 M4x8	A2-70	8
28	93010T0007A	Wear Pad	Carbon Ant.	4
29	93030D04L10A2	Elastic Pin D.4x10	A2-70	5
30	55120T0012AA	Front Volute Ring	AISI316	1
31	916700610A2	Socket screw UNI5927 M6x10	A2-70	2
32	93030D05L10A2	Elastic pin D.5x10	A2-70	6
33	55120CTM0012AI	Intermediate Volute Ring	AISI316	2
34	50310CTM07K	Intermediate Bushing	PEEK+30%FC	1
35	55120T0012AP	Rear Volute Ring	AISI316	1
36	50310A7040CT	Bushing	Carbon Ant.	2
37	91710ARHV702S	Bushing Tolerance Ring	AISI304	2
38	50310A500238	Int. magnet spacer	AISI316	1
39	55820C0005NA	Internal Magnet	AISI316/NdFeB	1
40	91620R24A4	Nut UNI 5589 M24	A4-70	1
41	91630L2439A4	Washer NORD LOCK D.24x39	A4-70	1
42	91510P176158	Rear Casing Gasket	PTFE	1
43	55610C006BHR	Rear casing	HC276	1
44	51310AC03D	Rear Casing Lock Ring	AISI304	1
45	91610TCE1620A2	Screw UNI5931 M6x20	A2-70	3
46	56110C006B92C	Bracket	WCB	1
47	91615M16	Eyebolt M16	Fe Zinc	1
48	9315012MAG	Plug 1/2" BSP	Fe Zinc	2
49	513101824	Adaptor Flange	Fe430	1
50	91610TCE11265A2	Screw UNI5931 M12x65	A2-70	8
51	91630S1221A2	Washer UNI1751 D.12x21	A2-70	10
52	91620N12A2	Nut UNI5588 M12	A2-70	8
53	91630N1224A2	Washer UNI6592 D.12x24	A2-70	10
54	91610TE1240A2	Screw UNI24017 M12x40	A2-70	2
55	55910CTM00720CC	Foot	ASTM A105	1
56	91610TE1645A2	Screw UNI24017 M16x45	A2-70	4
57	55810C000518N	External Magnet	A105/NdFeB	1

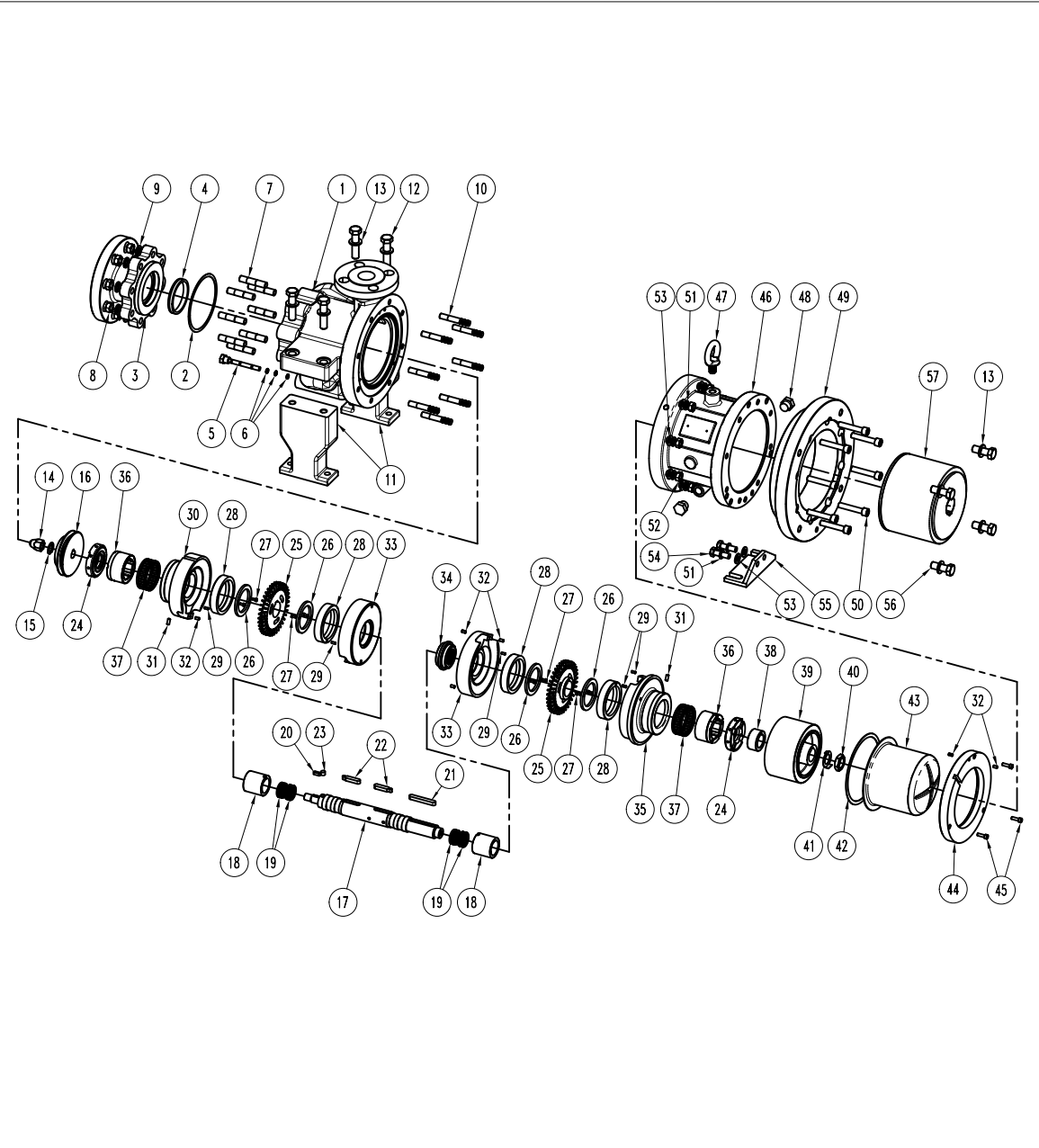
ITEM: Pump model: CT MAG-MS 12

Motor: IEC Gr 160
Port connection: Flanged
ANSI (ASA) B16.5 300 lbs / UNI EN1092-1 PN.40

- This drawing is for reference only

EXPLODED VIEW

CODE: E11138 Rev.:00



PART LIST

ITEM N°	CODE	Description	Material	Q.ty
1	5621OCTM000702AUF	Pump Casing	CF8M	1
2	9151OP14351305	Pump Casing Gasket	PTFE	1
3	5552OCT0007AUF	Pump Casing Cover	CF8M	1
4	5511OCXD4BA8510I	Casing Wear ring	AISI316	1
5	53150A97642	Drain plug 3/8" NPT	AISI316	1
6	9291OV0602	O-Ring 3024-BS108	Viton	3
7	9161OP1470A2	Stud Bolt M14x70	AISI420	8
8	91620N14A2	Nut UNI5588 M14	A2-70	8
9	91630S1424A2	Washer UNI1751 D.14x24	A2-70	8
10	9161OP1263A2	Stud Bolt M12x78	AISI420	8
11	55910WAC05C	Pump Casing Foot	WCB	2
12	9161OTE1670A2	Screw UNI24017 M16x70	A2-70	4
13	91630N1630A2	Washer UNI6592 16x30	A2-70	8
14	91690016A2	Int. Magnet Nut	AISI316	1
15	91630L1725A4	Washer NORD LOCK D.16x25.4	A4-70	1
16	5571OCT0007A	Centrifugal Impeller	CF8M	1
17	5501OCTM000702Y	Shaft	AISI420	1
18	902205048S	Sleeve Shaft	SSIC	2
19	91710ARSV5012	Shaft Tolerance Ring	AISI304	4
20	91640A6618A2	Key UNI6604/A 6x6x18	A2-70	1
21	91640A10870A2	Key UNI6604/A 10x8x70	A2-70	1
22	51640A10855A4S	Special Key 10x8x47	A4-70	2
23	56610D100008A	Special Key D.10x8	AISI316	1
24	5601OC0002A	Thrustbearing	AISI316/SSIC	2
25	5571OT0012A	Impeller	AISI316	2
26	90120T0007A	Lock Ring Wear Pad	AISI316	4
27	9161OTCE1408A2	Screw UNI5931 M4x8	A2-70	8
28	93010T0007A	Wear Pad	Carbon Ant.	4
29	93030D04L10A2	Elastic Pin D.4x10	A2-70	5
30	55120T0012AA	Front Volute Ring	AISI316	1
31	916700610A2	Socket screw UNI5927 M6x10	A2-70	2
32	93030D05L10A2	Elastic pin D.5x10	A2-70	6
33	55120CTM0012AI	Intermediate Volute Ring	AISI316	2
34	50310CTM07K	Intermediate Bushing	PEEK+30%FC	1
35	55120T0012AP	Rear Volute Ring	AISI316	1
36	50310A7040CT	Bushing	Carbon Ant.	2
37	91710ARHV702S	Bushing Tolerance Ring	AISI304	2
38	50310A500238	Int. magnet spacer	AISI316	1
39	55820CC0005NA	Internal Magnet	AISI316/NdFeB	1
40	91620R24A4	Nut UNI 5589 M24	A4-70	1
41	91630L2439A4	Washer NORD LOCK D.24x39	A4-70	1
42	9151OP176158	Rear Casing Gasket	PTFE	1
43	55610CC006BHR	Rear casing	HC276	1
44	51310AC003D	Rear Casing Lock Ring	AISI304	1
45	9161OTCE1620A2	Screw UNI5931 M6x20	A2-70	3
46	56110CC006B92C	Bracket	WCB	1
47	91615M16	Eyebolt M16	Fe Zinc	1
48	9315012MAG	Plug 1/2" BSP	Fe Zinc	2
49	513101824	Adaptor Flange	Fe430	1
50	9161OTCE11265A2	Screw UNI5931 M12x65	A2-70	8
51	91630S1221A2	Washer UNI1751 D.12x21	A2-70	10
52	91620N12A2	Nut UNI5588 M12	A2-70	8
53	91630N1224A2	Washer UNI6592 D.12x24	A2-70	10
54	9161OTE1240A2	Screw UNI24017 M12x40	A2-70	2
55	55910CTM00720CC	Foot	ASTM A105	1
56	9161OTE1645A2	Screw UNI24017 M16x45	A2-70	4
57	55810CC000520N	External Magnet	A105/NdFeB	1

ITEM: Pump model: CT MAG-MS 12

Motor: IEC Gr 180
Port connection: Flanged
ANSI (ASA) B16.5 300 lbs / UNI EN1092-1 PN.40

- This drawing is for reference only

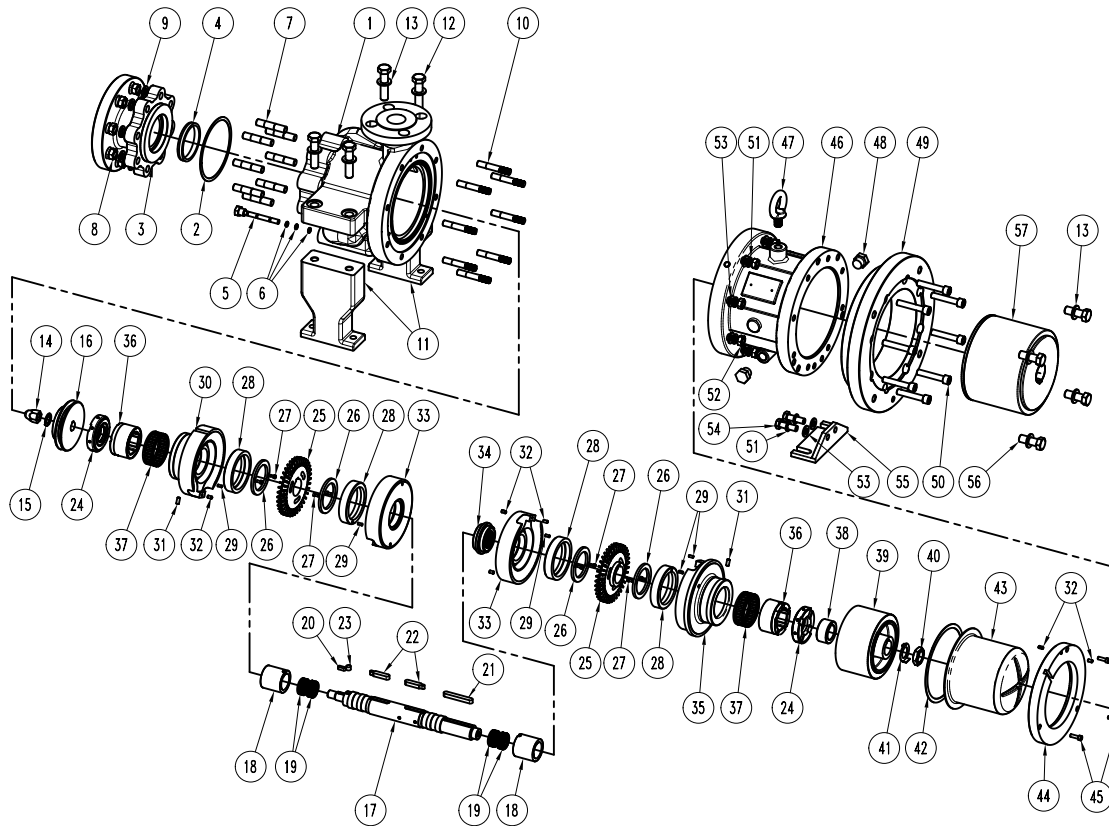
EXPLODED VIEW

CODE: E11139 Rev.:00



PART LIST

ITEM N°	CODE	Description	Material	Q.ty
1	5621OCTM000702AUF	Pump Casing	CFBM	1
2	91510P14351305	Pump Casing Gasket	PTFE	1
3	55520CT0007AUF	Pump Casing Cover	CFBM	1
4	55110CX04BA8510I	Casing Wear ring	AISI316	1
5	53150A97642	Drain plug 3/8" NPT	AISI316	1
6	92910V0602	O-Ring 3024-BS108	Viton	3
7	91610P1470A2	Stud Bolt M14x70	AISI420	8
8	91620N14A2	Nut UNIS588 M14	A2-70	8
9	91630S1424A2	Washer UNI1751 D.14x24	A2-70	8
10	91610P1263A2	Stud Bolt M12x78	AISI420	8
11	55910WAC05C	Pump Casing Foot	WCB	2
12	91610TE1670A2	Screw UNI24017 M16x70	A2-70	4
13	91630N1630A2	Washer UNI6592 16x30	A2-70	8
14	91690016A2	Int. Magnet Nut	AISI316	1
15	91630L1725A4	Washer NORD LOCK D.16x25.4	A4-70	1
16	55710CT0007A	Centrifugal Impeller	CFBM	1
17	55010CTM000702Y	Shaft	AISI420	1
18	902205048S	Sleeve Shaft	SSiC	2
19	91710ARVS5012	Shaft Tolerance Ring	AISI304	4
20	91640A6618A2	Key UNI6604/A 6x6x18	A2-70	1
21	91640A10870A2	Key UNI6604/A 10x8x70	A2-70	1
22	51640A10855A4S	Special Key 10x8x47	A4-70	2
23	56610D10008A	Special Key D.10x8	AISI316	1
24	56010C0002A	Thrustbearing	AISI316/SSiC	2
25	55710T0012A	Impeller	AISI316	2
26	90120T0007A	Lock Ring Wear Pad	AISI316	4
27	91610TCE1408A2	Screw UNI5931 M4x8	A2-70	8
28	93010T0007A	Wear Pad	Carbon Ant.	4
29	93030D0410A2	Elastic Pin D.4x10	A2-70	5
30	55120T0012AA	Front Volute Ring	AISI316	1
31	916700610A2	Socket srew UNI5927 M6x10	A2-70	2
32	93030D05L10A2	Elastic pin D.5x10	A2-70	6
33	55120CTM0012AI	Intermediate Volute Ring	AISI316	2
34	50310CTM07K	Intermediate Bushing	PEEK+30%FC	1
35	55120T0012AP	Rear Volute Ring	AISI316	1
36	50310A7040CT	Bushing	Carbon Ant.	2
37	91710ARHV7025	Bushing Tolerance Ring	AISI304	2
38	50310A500238	Int. magnet spacer	AISI316	1
39	55820C0006NA	Internal Magnet	AISI316/NdFeB	1
40	91620R24A4	Nut UNI 5589 M24	A4-70	1
41	91630L2439A4	Washer NORD LOCK D.24x39	A4-70	1
42	91510P176158	Rear Casing Gasket	PTFE	1
43	55610C006BHR	Rear casing	HC276	1
44	51310AC003D	Rear Casing Lock Ring	AISI304	1
45	91610TCE1620A2	Screw UNI5931 M6x20	A2-70	3
46	56110C006B92C	Bracket	WCB	1
47	91615M16	Eyebolt M16	Fe Zinc	1
48	9315012MAG	Plug 1/2" BSP	Fe Zinc	2
49	51310222S	Adaptor Flange	Fe430	1
50	91610TCE11265A2	Screw UNI5931 M12x65	A2-70	8
51	91630S1221A2	Washer UNI1751 D.12x21	A2-70	10
52	91620N12A2	Nut UNIS588 M12	A2-70	8
53	91630N1224A2	Washer UNI6592 D.12x24	A2-70	10
54	91610TE1240A2	Screw UNI24017 M12x40	A2-70	2
55	55910CTM00716CC	Foot	ASTM A105	1
56	91610TE1645A2	Screw UNI24017 M16x45	A2-70	4
57	55810C000622N	External Magnet	A105/NdFeB	1



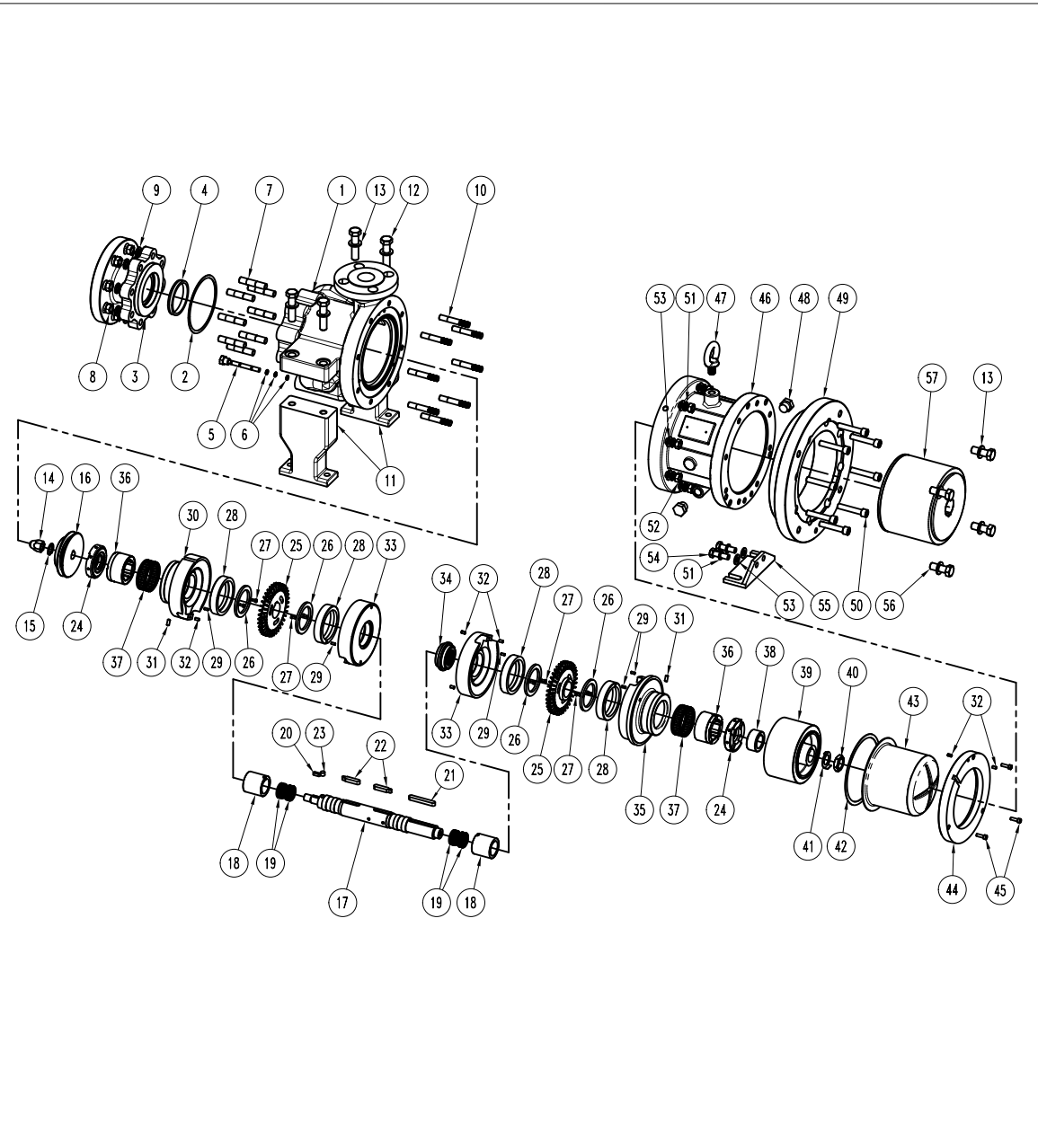
Pump model: CT MAG-MS 12
ITEM:

Motor: IEC Gr 200
Port connection: Flanged
ANSI (ASA) B16.5 300 lbs / UNI EN1092-1 PN.40

- This drawing is for reference only

EXPLODED VIEW

CODE: E11140 Rev.:00



PART LIST

ITEM N°	CODE	Description	Material	Q.ty
1	5621OCTM000702AUF	Pump Casing	CF8M	1
2	91510P14351305	Pump Casing Gasket	PTFE	1
3	5552OCT0007AUF	Pump Casing Cover	CF8M	1
4	55110CXD4BA8510I	Casing Wear ring	AISI316	1
5	53150A97642	Drain plug 3/8" NPT	AISI316	1
6	92910V0602	O-Ring 3024-BS108	Viton	3
7	91610P1470A2	Stud Bolt M14x70	AISI420	8
8	91620N14A2	Nut UNI5588 M14	A2-70	8
9	91630S1424A2	Washer UNI1751 D.14x24	A2-70	8
10	91610P1263A2	Stud Bolt M12x78	AISI420	8
11	55910WAC05C	Pump Casing Foot	WCB	2
12	91610TE1670A2	Screw UNI24017 M16x70	A2-70	4
13	91630N1630A2	Washer UNI6592 16x30	A2-70	8
14	91690016A2	Int. Magnet Nut	AISI316	1
15	91630L1725A4	Washer NORD LOCK D.16x25.4	A4-70	1
16	5571OCT0007A	Centrifugal Impeller	CF8M	1
17	5501OCTM000702Y	Shaft	AISI420	1
18	902205048S	Sleeve Shaft	SSIC	2
19	91710ARSV5012	Shaft Tolerance Ring	AISI304	4
20	91640A6618A2	Key UNI6604/A 6x6x18	A2-70	1
21	91640A10870A2	Key UNI6604/A 10x8x70	A2-70	1
22	51640A10855A4S	Special Key 10x8x47	A4-70	2
23	56610D100008A	Special Key D.10x8	AISI316	1
24	56010C0002A	Thrustbearing	AISI316/SSIC	2
25	55710T0013A	Impeller	AISI316	2
26	90120T0007A	Lock Ring Wear Pad	AISI316	4
27	91610TCE1408A2	Screw UNI5931 M4x8	A2-70	8
28	93010T0007A	Wear Pad	Carbon Ant.	4
29	93030D04L10A2	Elastic Pin D.4x10	A2-70	5
30	55120T0013AA	Front Volute Ring	AISI316	1
31	916700610A2	Socket screw UNI5927 M6x10	A2-70	2
32	93030D05L10A2	Elastic pin D.5x10	A2-70	6
33	55120CTM0013AI	Intermediate Volute Ring	AISI316	2
34	50310CTM07K	Intermediate Bushing	PEEK+30%FC	1
35	55120T0013AP	Rear Volute Ring	AISI316	1
36	50310A7040CT	Bushing	Carbon Ant.	2
37	91710ARHV7025	Bushing Tolerance Ring	AISI304	2
38	50310A500238	Int. magnet spacer	AISI316	1
39	55820C0005NA	Internal Magnet	AISI316/NdFeB	1
40	91620R24A4	Nut UNI 5589 M24	A4-70	1
41	91630L2439A4	Washer NORD LOCK D.24x39	A4-70	1
42	91510P176158	Rear Casing Gasket	PTFE	1
43	55610C006BHR	Rear casing	HC276	1
44	51310AC03D	Rear Casing Lock Ring	AISI304	1
45	91610TCE1620A2	Screw UNI5931 M6x20	A2-70	3
46	56110C006B92C	Bracket	WCB	1
47	91615M16	Eyebolt M16	Fe Zinc	1
48	9315012MAG	Plug 1/2" BSP	Fe Zinc	2
49	513101824	Adaptor Flange	Fe430	1
50	91610TCE11265A2	Screw UNI5931 M12x65	A2-70	8
51	91630S1221A2	Washer UNI1751 D.12x21	A2-70	10
52	91620N12A2	Nut UNI5588 M12	A2-70	8
53	91630N1224A2	Washer UNI6592 D.12x24	A2-70	10
54	91610TE1240A2	Screw UNI24017 M12x40	A2-70	2
55	55910CTM00720CC	Foot	ASTM A105	1
56	91610TE1645A2	Screw UNI24017 M16x45	A2-70	4
57	55810C000518N	External Magnet	A105/NdFeB	1

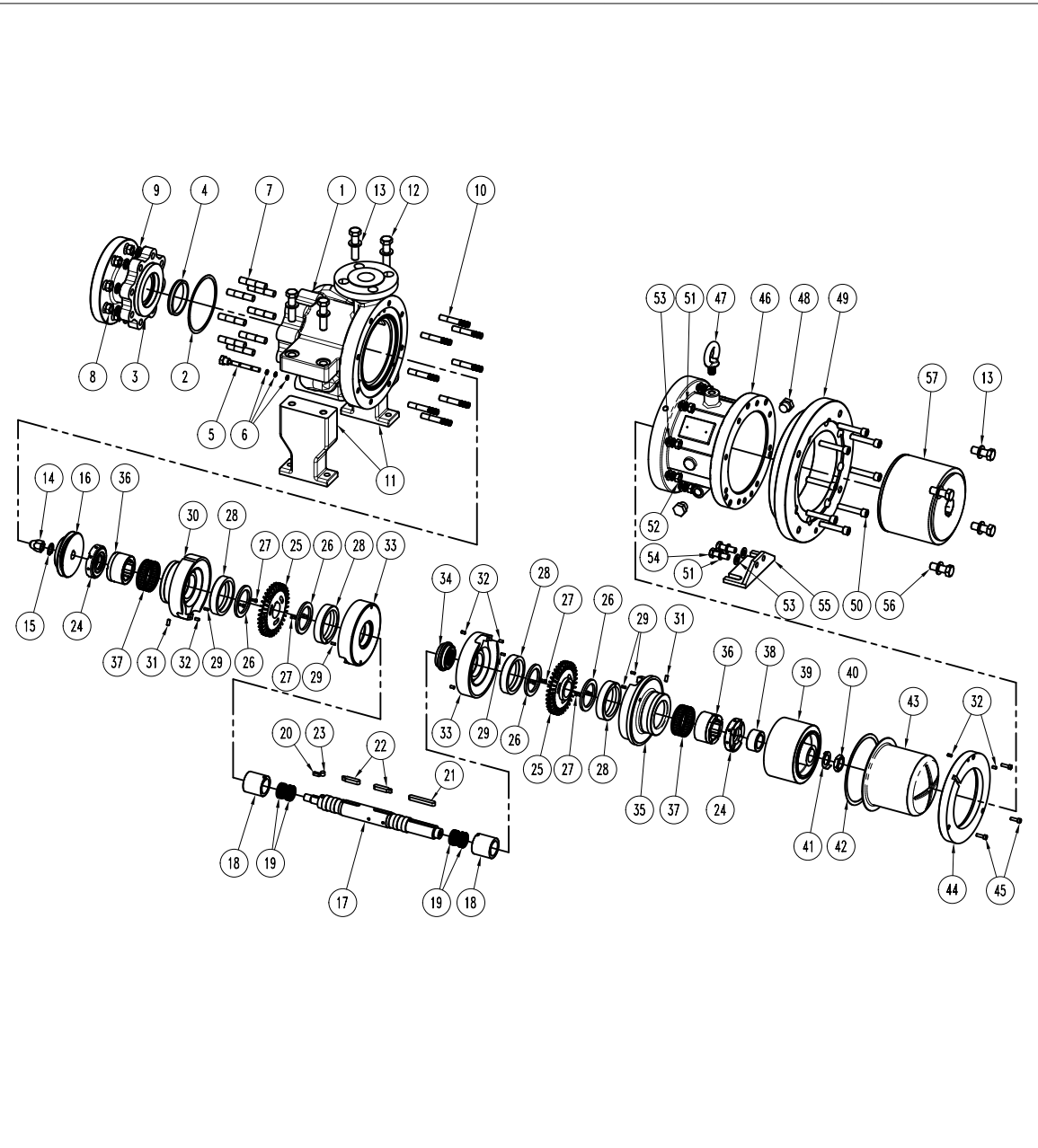
ITEM: Pump model: CT MAG-MS 13

Motor: IEC Gr 160
Port connection: Flanged
ANSI (ASA) B16.5 300 lbs / UNI EN1092-1 PN.40

- This drawing is for reference only

EXPLODED VIEW

CODE: E11141 Rev.:00



PART LIST

ITEM N°	CODE	Description	Material	Q.ty
1	5621OCTM000702AUF	Pump Casing	CF8M	1
2	9151OP14351305	Pump Casing Gasket	PTFE	1
3	5552OCT0007AUF	Pump Casing Cover	CF8M	1
4	5511OCD48A8510I	Casing Wear ring	AISI316	1
5	53150A97642	Drain plug 3/8" NPT	AISI316	1
6	9291OV0602	O-Ring 3024-BS108	Viton	3
7	9161OP1470A2	Stud Bolt M14x70	AISI420	8
8	91620N14A2	Nut UNI5588 M14	A2-70	8
9	91630S1424A2	Washer UNI1751 D.14x24	A2-70	8
10	9161OP1263A2	Stud Bolt M12x78	AISI420	8
11	55910WAC05C	Pump Casing Foot	WCB	2
12	9161OTE1670A2	Screw UNI24017 M16x70	A2-70	4
13	91630N1630A2	Washer UNI6592 16x30	A2-70	8
14	91690016A2	Int. Magnet Nut	AISI316	1
15	91630L1725A4	Washer NORD LOCK D.16x25.4	A4-70	1
16	5571OCT0007A	Centrifugal Impeller	CF8M	1
17	5501OCTM000702Y	Shaft	AISI420	1
18	902205048S	Sleeve Shaft	SSIC	2
19	91710ARSV5012	Shaft Tolerance Ring	AISI304	4
20	91640A6618A2	Key UNI6604/A 6x6x18	A2-70	1
21	91640A10870A2	Key UNI6604/A 10x8x70	A2-70	1
22	51640A10855A4S	Special Key 10x8x47	A4-70	2
23	56610D100008A	Special Key D.10x8	AISI316	1
24	56010C0002A	Thrustbearing	AISI316/SSIC	2
25	55710T0013A	Impeller	AISI316	2
26	90120T0007A	Lock Ring Wear Pad	AISI316	4
27	91610TCE1408A2	Screw UNI5931 M4x8	A2-70	8
28	93010T0007A	Wear Pad	Carbon Ant.	4
29	93030D04L10A2	Elastic Pin D.4x10	A2-70	5
30	55120T0013AA	Front Volute Ring	AISI316	1
31	916700610A2	Socket screw UNI5927 M6x10	A2-70	2
32	93030D05L10A2	Elastic pin D.5x10	A2-70	6
33	55120CTM0013AI	Intermediate Volute Ring	AISI316	2
34	50310CTM07K	Intermediate Bushing	PEEK+30%FC	1
35	55120T0013AP	Rear Volute Ring	AISI316	1
36	50310A7040CT	Bushing	Carbon Ant.	2
37	91710ARHV702S	Bushing Tolerance Ring	AISI304	2
38	50310A500238	Int. magnet spacer	AISI316	1
39	55820C0005NA	Internal Magnet	AISI316/NdFeB	1
40	91620R24A4	Nut UNI 5589 M24	A4-70	1
41	91630L2439A4	Washer NORD LOCK D.24x39	A4-70	1
42	9151OP176158	Rear Casing Gasket	PTFE	1
43	55610C006BHR	Rear casing	HC276	1
44	51310AC03D	Rear Casing Lock Ring	AISI304	1
45	91610TCE1620A2	Screw UNI5931 M6x20	A2-70	3
46	56110C006B92C	Bracket	WCB	1
47	91615M16	Eyebolt M16	Fe Zinc	1
48	9315012MAG	Plug 1/2" BSP	Fe Zinc	2
49	513101824	Adaptor Flange	Fe430	1
50	91610TCE11265A2	Screw UNI5931 M12x65	A2-70	8
51	91630S1221A2	Washer UNI1751 D.12x21	A2-70	10
52	91620N12A2	Nut UNI5588 M12	A2-70	8
53	91630N1224A2	Washer UNI6592 D.12x24	A2-70	10
54	9161OTE1240A2	Screw UNI24017 M12x40	A2-70	2
55	55910CTM00720CC	Foot	ASTM A105	1
56	9161OTE1645A2	Screw UNI24017 M16x45	A2-70	4
57	55810C000520N	External Magnet	A105/NdFeB	1

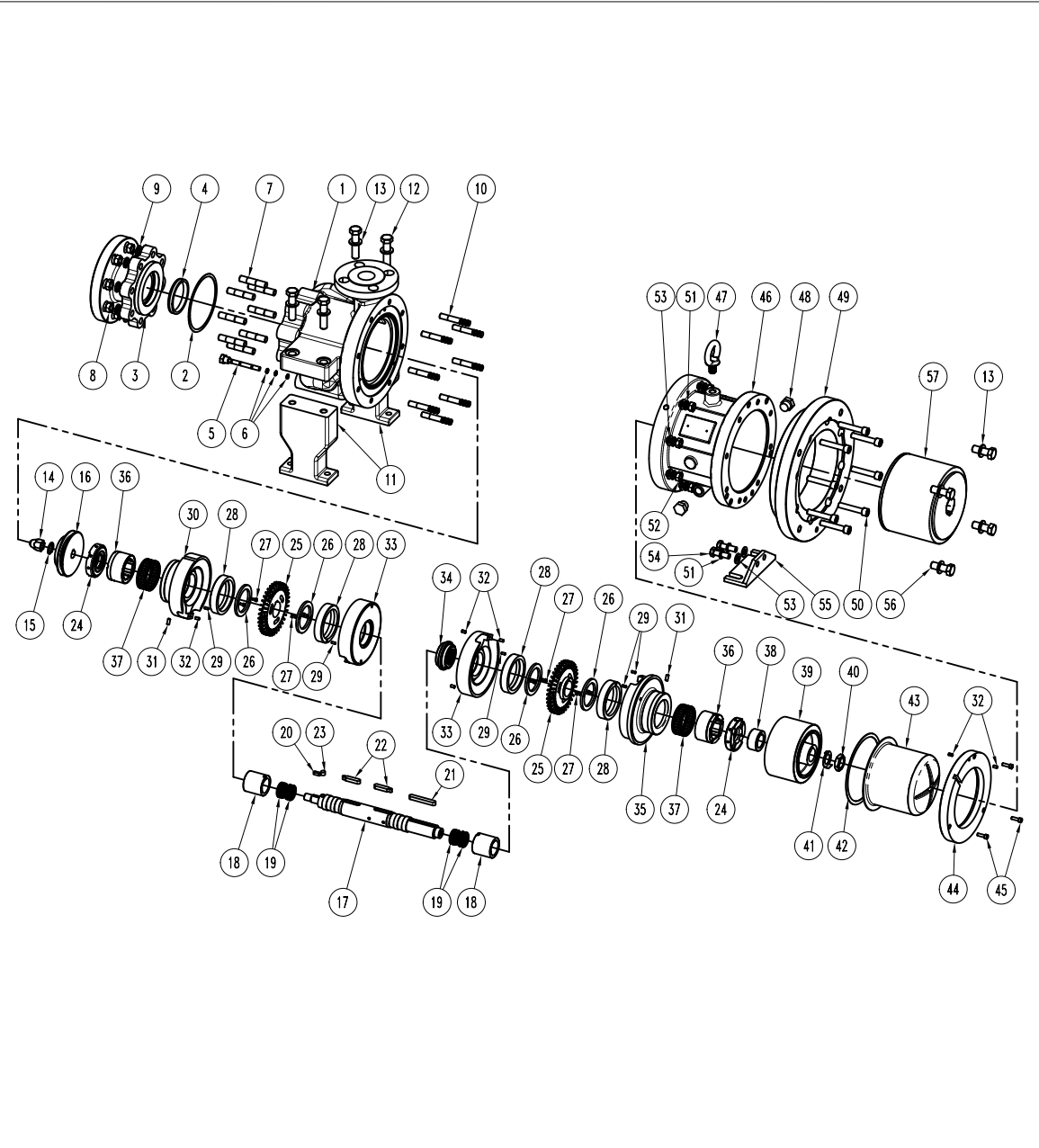
ITEM: Pump model: CT MAG-MS 13

Motor: IEC Gr 180
Port connection: Flanged
ANSI (ASA) B16.5 300 lbs / UNI EN1092-1 PN.40

- This drawing is for reference only

EXPLODED VIEW

CODE: E11142 Rev.:00



PART LIST

ITEM N°	CODE	Description	Material	Q.ty
1	5621OCTM000702AUF	Pump Casing	CF8M	1
2	9151OP14351305	Pump Casing Gasket	PTFE	1
3	5552OCT0007AUF	Pump Casing Cover	CF8M	1
4	5511OCXD4BA8510I	Casing Wear ring	AISI316	1
5	53150A97642	Drain plug 3/8" NPT	AISI316	1
6	9291OV0602	O-Ring 3024-BS108	Viton	3
7	9161OP1470A2	Stud Bolt M14x70	AISI420	8
8	91620N14A2	Nut UNI5588 M14	A2-70	8
9	91630S1424A2	Washer UNI1751 D.14x24	A2-70	8
10	9161OP1263A2	Stud Bolt M12x78	AISI420	8
11	55910WAC05C	Pump Casing Foot	WCB	2
12	9161OTE1670A2	Screw UNI24017 M16x70	A2-70	4
13	91630N1630A2	Washer UNI6592 16x30	A2-70	8
14	91690016A2	Int. Magnet Nut	AISI316	1
15	91630L1725A4	Washer NORD LOCK D.16x25.4	A4-70	1
16	5571OCT0007A	Centrifugal Impeller	CF8M	1
17	5501OCTM000702Y	Shaft	AISI420	1
18	902205048S	Sleeve Shaft	SSIC	2
19	91710ARSV5012	Shaft Tolerance Ring	AISI304	4
20	91640A6618A2	Key UNI6604/A 6x6x18	A2-70	1
21	91640A10870A2	Key UNI6604/A 10x8x70	A2-70	1
22	51640A10855A4S	Special Key 10x8x47	A4-70	2
23	56610D100008A	Special Key D.10x8	AISI316	1
24	5601OC0002A	Thrustbearing	AISI316/SSIC	2
25	5571OT0013A	Impeller	AISI316	2
26	90120T0007A	Lock Ring Wear Pad	AISI316	4
27	9161OTCE1408A2	Screw UNI5931 M4x8	A2-70	8
28	9301OT0007A	Wear Pad	Carbon Ant.	4
29	93030D04L10A2	Elastic Pin D.4x10	A2-70	5
30	55120T0013AA	Front Volute Ring	AISI316	1
31	916700610A2	Socket screw UNI5927 M6x10	A2-70	2
32	93030D05L10A2	Elastic pin D.5x10	A2-70	6
33	55120CTM0013AI	Intermediate Volute Ring	AISI316	2
34	5031OCTM07K	Intermediate Bushing	PEEK+30%FC	1
35	55120T0013AP	Rear Volute Ring	AISI316	1
36	50310A7040CT	Bushing	Carbon Ant.	2
37	91710ARHV702S	Bushing Tolerance Ring	AISI304	2
38	50310A500238	Int. magnet spacer	AISI316	1
39	55820CC006NA	Internal Magnet	AISI316/NdFeB	1
40	91620R24A4	Nut UNI 5589 M24	A4-70	1
41	91630L2439A4	Washer NORD LOCK D.24x39	A4-70	1
42	9151OP176158	Rear Casing Gasket	PTFE	1
43	5561OC006BHR	Rear casing	HC276	1
44	5131OAC003D	Rear Casing Lock Ring	AISI304	1
45	9161OTCE1620A2	Screw UNI5931 M6x20	A2-70	3
46	5611OC006B92C	Bracket	WCB	1
47	91615M16	Eyebolt M16	Fe Zinc	1
48	9315012MAG	Plug 1/2" BSP	Fe Zinc	2
49	513102225	Adaptor Flange	Fe430	1
50	9161OTCE11265A2	Screw UNI5931 M12x65	A2-70	8
51	91630S1221A2	Washer UNI1751 D.12x21	A2-70	10
52	91620N12A2	Nut UNI5588 M12	A2-70	8
53	91630N1224A2	Washer UNI6592 D.12x24	A2-70	10
54	9161OTE1240A2	Screw UNI24017 M12x40	A2-70	2
55	5591OCTM00716CC	Foot	ASTM A105	1
56	9161OTE1645A2	Screw UNI24017 M16x45	A2-70	4
57	5581OC000622N	External Magnet	A105/NdFeB	1

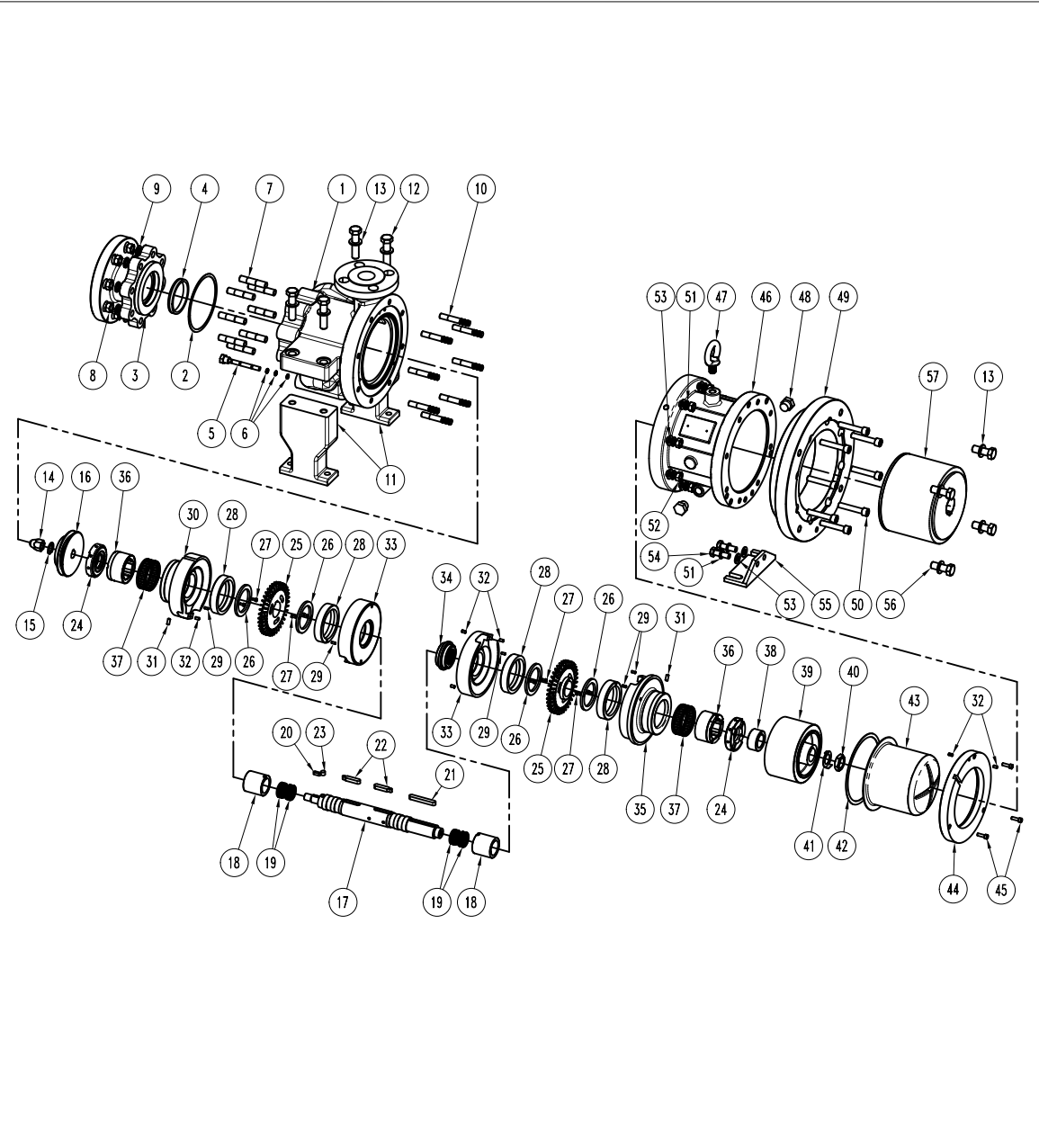
ITEM: Pump model: CT MAG-MS 13

Motor: IEC Gr 200
Port connection: Flanged
ANSI (ASA) B16.5 300 lbs / UNI EN1092-1 PN.40

- This drawing is for reference only

EXPLODED VIEW

CODE: E11143 Rev.:00



PART LIST

ITEM N°	CODE	Description	Material	Q.ty
1	5621OCTM000702AUF	Pump Casing	CF8M	1
2	91510P14351305	Pump Casing Gasket	PTFE	1
3	5552OCT0007AUF	Pump Casing Cover	CF8M	1
4	55110CXD4BA8510I	Casing Wear ring	AISI316	1
5	53150A97642	Drain plug 3/8" NPT	AISI316	1
6	92910V0602	O-Ring 3024-BS108	Viton	3
7	91610P1470A2	Stud Bolt M14x70	AISI420	8
8	91620N14A2	Nut UNI5588 M14	A2-70	8
9	91630S1424A2	Washer UNI1751 D.14x24	A2-70	8
10	91610P1263A2	Stud Bolt M12x78	AISI420	8
11	55910WAC05C	Pump Casing Foot	WCB	2
12	91610TE1670A2	Screw UNI24017 M16x70	A2-70	4
13	91630N1630A2	Washer UNI6592 16x30	A2-70	8
14	91690016A2	Int. Magnet Nut	AISI316	1
15	91630L1725A4	Washer NORD LOCK D.16x25.4	A4-70	1
16	5571OCT0007A	Centrifugal Impeller	CF8M	1
17	5501OCTM000702Y	Shaft	AISI420	1
18	902205048S	Sleeve Shaft	SSIC	2
19	91710ARSV5012	Shaft Tolerance Ring	AISI304	4
20	91640A6618A2	Key UNI6604/A 6x6x18	A2-70	1
21	91640A10870A2	Key UNI6604/A 10x8x70	A2-70	1
22	51640A10855A4S	Special Key 10x8x47	A4-70	2
23	56610D100008A	Special Key D.10x8	AISI316	1
24	56010C0002A	Thrustbearing	AISI316/SSIC	2
25	55710T0014A	Impeller	AISI316	2
26	90120T0007A	Lock Ring Wear Pad	AISI316	4
27	91610TCE1408A2	Screw UNI5931 M4x8	A2-70	8
28	93010T0007A	Wear Pad	Carbon Ant.	4
29	93030D04L10A2	Elastic Pin D.4x10	A2-70	5
30	55120T0014AA	Front Volute Ring	AISI316	1
31	916700610A2	Socket screw UNI5927 M6x10	A2-70	2
32	93030D05L10A2	Elastic pin D.5x10	A2-70	6
33	55120CTM0014AI	Intermediate Volute Ring	AISI316	2
34	50310CTM07K	Intermediate Bushing	PEEK+30%FC	1
35	55120T0014AP	Rear Volute Ring	AISI316	1
36	50310A7040CT	Bushing	Carbon Ant.	2
37	91710ARHV702S	Bushing Tolerance Ring	AISI304	2
38	50310A500238	Int. magnet spacer	AISI316	1
39	55820C0005NA	Internal Magnet	AISI316/NdFeB	1
40	91620R24A4	Nut UNI 5589 M24	A4-70	1
41	91630L2439A4	Washer NORD LOCK D.24x39	A4-70	1
42	91510P176158	Rear Casing Gasket	PTFE	1
43	55610C006BHR	Rear casing	HC276	1
44	51310AC03D	Rear Casing Lock Ring	AISI304	1
45	91610TCE1620A2	Screw UNI5931 M6x20	A2-70	3
46	56110C006B92C	Bracket	WCB	1
47	91615M16	Eyebolt M16	Fe Zinc	1
48	9315012MAG	Plug 1/2" BSP	Fe Zinc	2
49	513101824	Adaptor Flange	Fe430	1
50	91610TCE11265A2	Screw UNI5931 M12x65	A2-70	8
51	91630S1221A2	Washer UNI1751 D.12x21	A2-70	10
52	91620N12A2	Nut UNI5588 M12	A2-70	8
53	91630N1224A2	Washer UNI6592 D.12x24	A2-70	10
54	91610TE1240A2	Screw UNI24017 M12x40	A2-70	2
55	55910CTM00720CC	Foot	ASTM A105	1
56	91610TE1645A2	Screw UNI24017 M16x45	A2-70	4
57	55810C000518N	External Magnet	A105/NdFeB	1

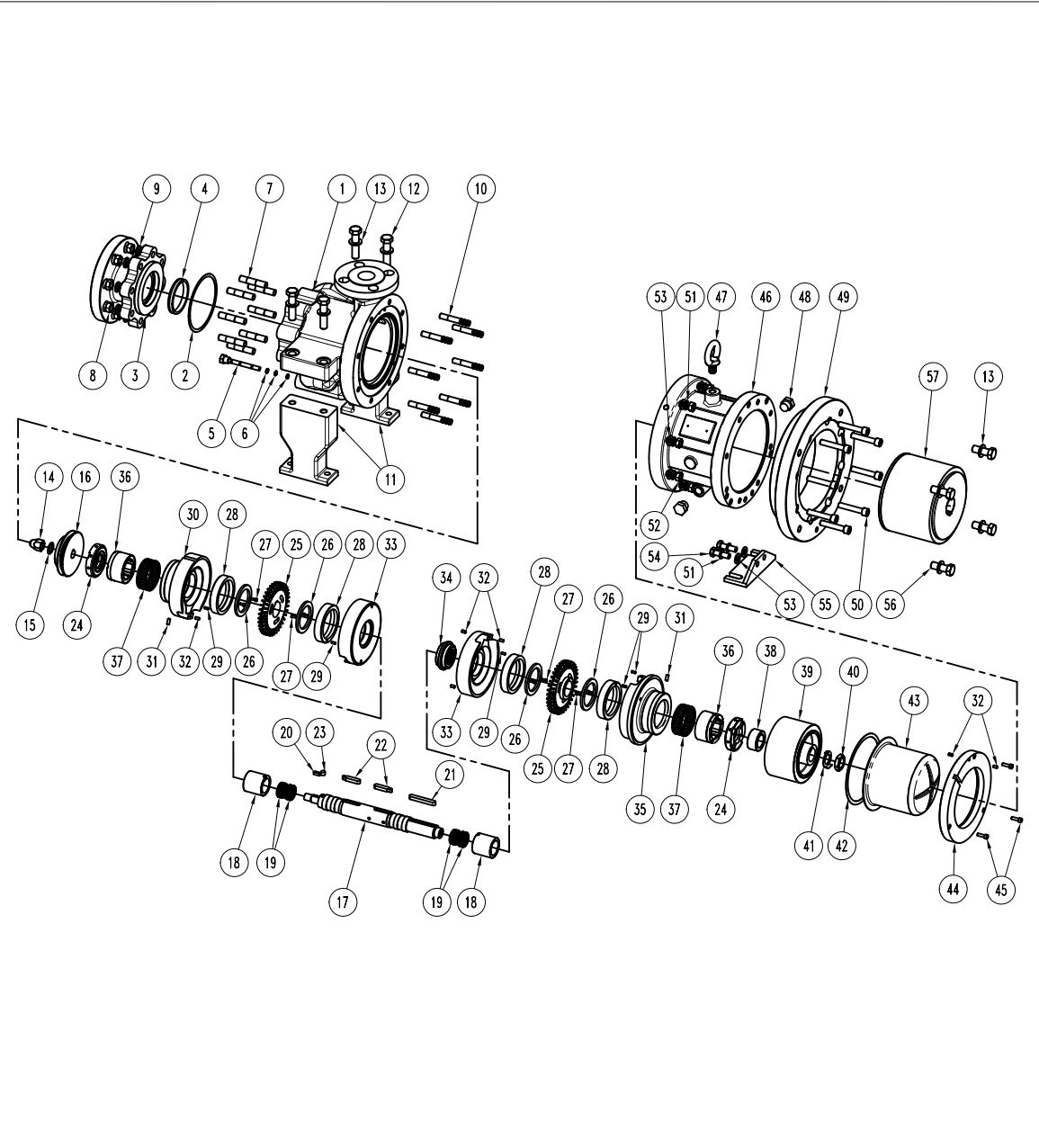
ITEM: Pump model: CT MAG-MS 14

Motor: IEC Gr 160
Port connection: Flanged
ANSI (ASA) B16.5 300 lbs / UNI EN1092-1 PN.40

- This drawing is for reference only

EXPLODED VIEW

CODE: E11144 Rev.:00



PART LIST

ITEM N°	CODE	Description	Material	Q.ty
1	5621OCTM000702AUF	Pump Casing	CF8M	1
2	9151OP14351305	Pump Casing Gasket	PTFE	1
3	5552OCT0007AUF	Pump Casing Cover	CF8M	1
4	5511OCD48A8510I	Casing Wear ring	AISI316	1
5	53150A97642	Drain plug 3/8" NPT	AISI316	1
6	9291OV0602	O-Ring 3024-BS108	Viton	3
7	9161OP1470A2	Stud Bolt M14x70	AISI420	8
8	91620N14A2	Nut UNI5588 M14	A2-70	8
9	91630S1424A2	Washer UNI1751 D.14x24	A2-70	8
10	9161OP1263A2	Stud Bolt M12x78	AISI420	8
11	55910WAC05C	Pump Casing Foot	WCB	2
12	9161OTE1670A2	Screw UNI24017 M16x70	A2-70	4
13	91630N1630A2	Washer UNI6592 16x30	A2-70	8
14	91690016A2	Int. Magnet Nut	AISI316	1
15	91630L1725A4	Washer NORD LOCK D.16x25.4	A4-70	1
16	5571OCT0007A	Centrifugal Impeller	CF8M	1
17	5501OCTM000702Y	Shaft	AISI420	1
18	902205048S	Sleeve Shaft	SSIC	2
19	91710ARSV5012	Shaft Tolerance Ring	AISI304	4
20	91640A6618A2	Key UNI6604/A 6x6x18	A2-70	1
21	91640A10870A2	Key UNI6604/A 10x8x70	A2-70	1
22	51640A10855A4S	Special Key 10x8x47	A4-70	2
23	56610D100008A	Special Key D.10x8	AISI316	1
24	5601OC0002A	Thrustbearing	AISI316/SSIC	2
25	5571OT0014A	Impeller	AISI316	2
26	90120T0007A	Lock Ring Wear Pad	AISI316	4
27	9161OTCE1408A2	Screw UNI5931 M4x8	A2-70	8
28	93010T0007A	Wear Pad	Carbon Ant.	4
29	93030D04L10A2	Elastic Pin D.4x10	A2-70	5
30	55120T0014AA	Front Volute Ring	AISI316	1
31	916700610A2	Socket screw UNI5927 M6x10	A2-70	2
32	93030D05L10A2	Elastic pin D.5x10	A2-70	6
33	55120CTM0014AI	Intermediate Volute Ring	AISI316	2
34	50310CTM07K	Intermediate Bushing	PEEK+30%FC	1
35	55120T0014AP	Rear Volute Ring	AISI316	1
36	50310A7040CT	Bushing	Carbon Ant.	2
37	91710ARHV702S	Bushing Tolerance Ring	AISI304	2
38	50310A500238	Int. magnet spacer	AISI316	1
39	55820CC005NA	Internal Magnet	AISI316/NdFeB	1
40	91620R24A4	Nut UNI 5589 M24	A4-70	1
41	91630L2439A4	Washer NORD LOCK D.24x39	A4-70	1
42	9151OP176158	Rear Casing Gasket	PTFE	1
43	55610CC006BHR	Rear casing	HC276	1
44	51310AC003D	Rear Casing Lock Ring	AISI304	1
45	9161OTCE1620A2	Screw UNI5931 M6x20	A2-70	3
46	56110CC006B92C	Bracket	WCB	1
47	91615M16	Eyebolt M16	Fe Zinc	1
48	9315012MAG	Plug 1/2" BSP	Fe Zinc	2
49	513101824	Adaptor Flange	Fe430	1
50	9161OTCE11265A2	Screw UNI5931 M12x65	A2-70	8
51	91630S1221A2	Washer UNI1751 D.12x21	A2-70	10
52	91620N12A2	Nut UNI5588 M12	A2-70	8
53	91630N1224A2	Washer UNI6592 D.12x24	A2-70	10
54	9161OTE1240A2	Screw UNI24017 M12x40	A2-70	2
55	55910CTM00720CC	Foot	ASTM A105	1
56	9161OTE1645A2	Screw UNI24017 M16x45	A2-70	4
57	55810CC00520N	External Magnet	A105/NdFeB	1

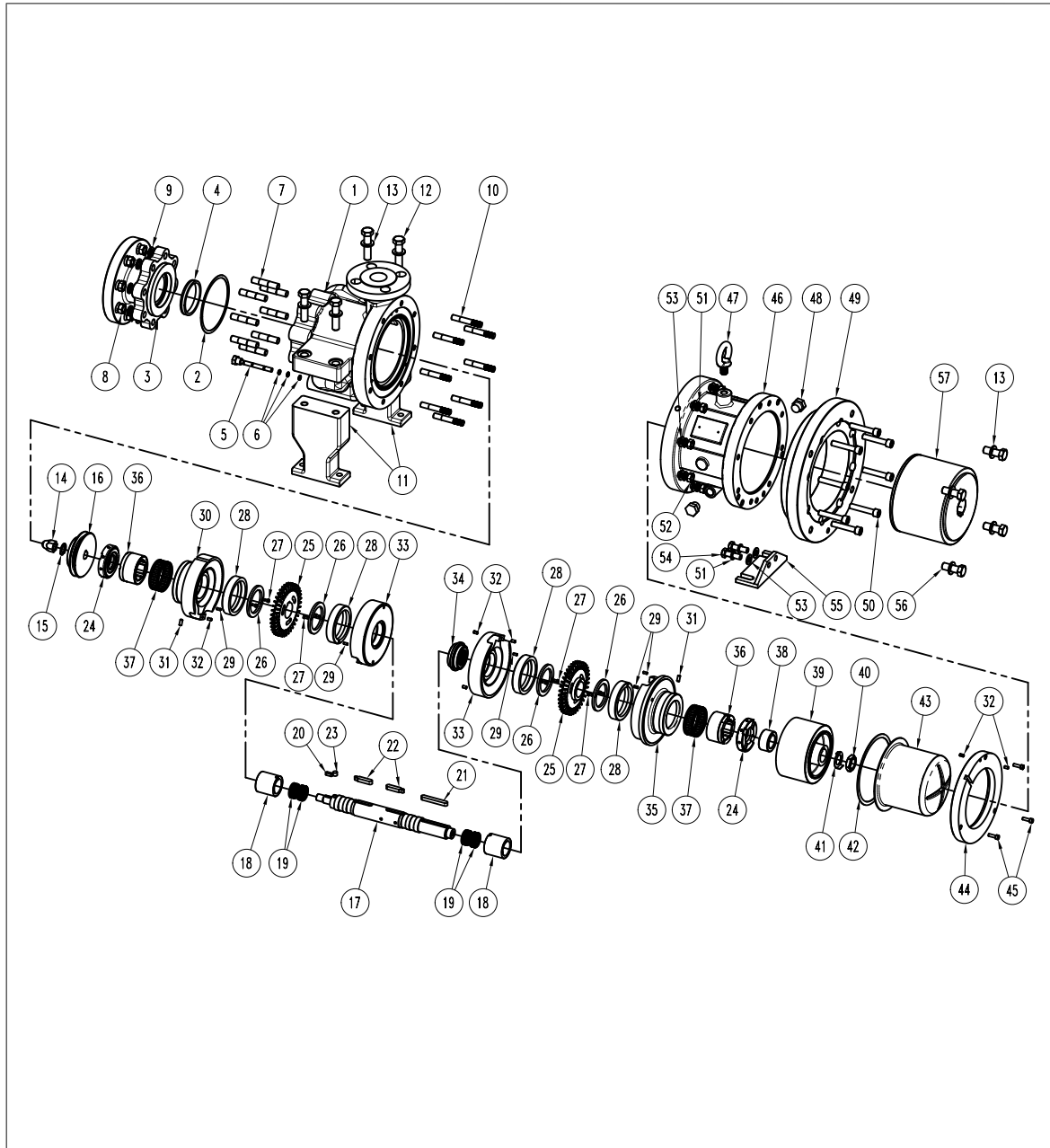
ITEM: Pump model: CT MAG-MS 14

Motor: IEC Gr 180
Port connection: Flanged
ANSI (ASA) B16.5 300 lbs / UNI EN1092-1 PN.40

- This drawing is for reference only

EXPLODED VIEW

CODE: E11145 Rev.:00



PART LIST

ITEM N°	CODE	Description	Material	Q.ty
1	5621OCTM000702AUF	Pump Casing	CF8M	1
2	9151OP14351305	Pump Casing Gasket	PTFE	1
3	5552OCT0007AUF	Pump Casing Cover	CF8M	1
4	55110CXD4BA8510I	Casing Wear ring	AISI316	1
5	53150A97642	Drain plug 3/8" NPT	AISI316	1
6	9291OV0602	O-Ring 3024-BS108	Viton	3
7	9161OP1470A2	Stud Bolt M14x70	AISI420	8
8	91620N14A2	Nut UNI5588 M14	A2-70	8
9	91630S1424A2	Washer UNI1751 D.14x24	A2-70	8
10	9161OP1263A2	Stud Bolt M12x78	AISI420	8
11	55910WAC05C	Pump Casing Foot	WCB	2
12	9161OTE1670A2	Screw UNI24017 M16x70	A2-70	4
13	91630N1630A2	Washer UNI6592 16x30	A2-70	8
14	91690016A2	Int. Magnet Nut	AISI316	1
15	91630L1725A4	Washer NORD LOCK D.16x25.4	A4-70	1
16	5571OCT0007A	Centrifugal Impeller	CF8M	1
17	5501OCTM000702Y	Shaft	AISI420	1
18	902205048S	Sleeve Shaft	SSIC	2
19	91710ARSV5012	Shaft Tolerance Ring	AISI304	4
20	91640A6618A2	Key UNI6604/A 6x6x18	A2-70	1
21	91640A10870A2	Key UNI6604/A 10x8x70	A2-70	1
22	51640A10855A4S	Special Key 10x8x47	A4-70	2
23	56610D100008A	Special Key D.10x8	AISI316	1
24	56010C0002A	Thrustbearing	AISI316/SSIC	2
25	55710T0014A	Impeller	AISI316	2
26	90120T0007A	Lock Ring Wear Pad	AISI316	4
27	91610TCE1408A2	Screw UNI5931 M4x8	A2-70	8
28	93010T0007A	Wear Pad	Carbon Ant.	4
29	93030D04L10A2	Elastic Pin D.4x10	A2-70	5
30	55120T0014AA	Front Volute Ring	AISI316	1
31	916700610A2	Socket screw UNI5927 M6x10	A2-70	2
32	93030D05L10A2	Elastic pin D.5x10	A2-70	6
33	55120CTM0014AI	Intermediate Volute Ring	AISI316	2
34	50310CTM07K	Intermediate Bushing	PEEK+30%FC	1
35	55120T0014AP	Rear Volute Ring	AISI316	1
36	50310A7040CT	Bushing	Carbon Ant.	2
37	91710ARHV702S	Bushing Tolerance Ring	AISI304	2
38	50310A500238	Int. magnet spacer	AISI316	1
39	55820C0006NA	Internal Magnet	AISI316/NdFeB	1
40	91620R24A4	Nut UNI 5589 M24	A4-70	1
41	91630L2439A4	Washer NORD LOCK D.24x39	A4-70	1
42	9151OP176158	Rear Casing Gasket	PTFE	1
43	55610C006BHR	Rear casing	HC276	1
44	51310AC03D	Rear Casing Lock Ring	AISI304	1
45	91610TCE1620A2	Screw UNI5931 M6x20	A2-70	3
46	56110C006B92C	Bracket	WCB	1
47	91615M16	Eyebolt M16	Fe Zinc	1
48	9315012MAG	Plug 1/2" BSP	Fe Zinc	2
49	513102225	Adaptor Flange	Fe430	1
50	91610TCE11265A2	Screw UNI5931 M12x65	A2-70	8
51	91630S1221A2	Washer UNI1751 D.12x21	A2-70	10
52	91620N12A2	Nut UNI5588 M12	A2-70	8
53	91630N1224A2	Washer UNI6592 D.12x24	A2-70	10
54	9161OTE1240A2	Screw UNI24017 M12x40	A2-70	2
55	55910CTM00716CC	Foot	ASTM A105	1
56	9161OTE1645A2	Screw UNI24017 M16x45	A2-70	4
57	55810C000622N	External Magnet	A105/NdFeB	1

ITEM: Pump model: CT MAG-MS 14

Motor: IEC Gr 200
Port connection: Flanged
ANSI (ASA) B16.5 300 lbs / UNI EN1092-1 PN.40

- This drawing is for reference only